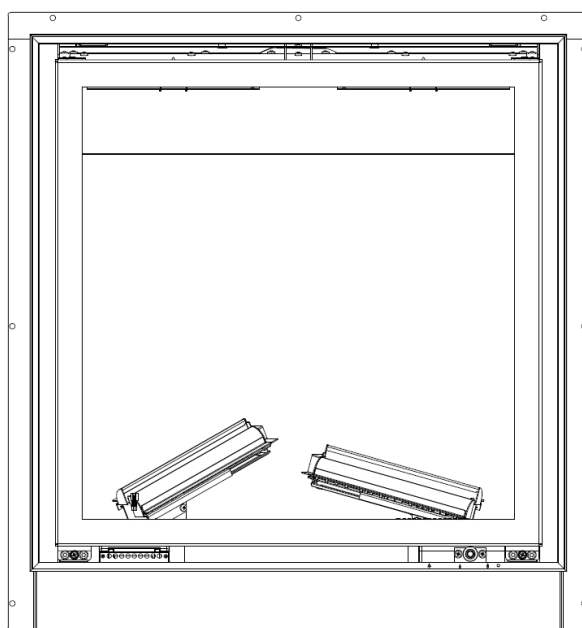


# bemodern

FIRES | FIREPLACES

## CALLEOS 600 BALANCED FLUE GAS LOG FIRE



### USER INSTRUCTIONS INSTALLATION INSTRUCTIONS SERVICE INSTRUCTIONS

**Do not use this appliance if the front glass panel is broken, removed or fitted incorrectly.**

It is a regulation that these instructions be handed to the customer after installation is complete. It is also the responsibility of the installation engineer to ensure that the customer is able to fully operate the appliance and is aware of any cleaning or maintenance requirements.

**Model number: BM-20XXX2 SLIDE For use on Natural Gas (G20) at a supply pressure of 20 mbar in GB/IE  
(X denotes trim type)**



**THIS INSTRUCTION MANUAL MUST BE LEFT  
WITH THE CUSTOMER AFTER INSTALLATION**

USER INSTRUCTIONS

1.0 Appliance Commissioning Check List ..... 3

2.0 User Instructions—Important information, Ventilation & Warnings ..... 4

2.1 User Instructions—Controls & Operation ..... 5

2.2 User Instructions—General Maintenance & Cleaning ..... 6

2.3 Log Layout Instructions ..... 9

2.4 Running in and Troubleshooting ..... 14

INSTALLATION INSTRUCTIONS

3.0 Unpacking the appliance ..... 15

3.1 Regulatory Information ..... 16

3.2 Efficiency and Appliance Technical Information ..... 16

3.3 Installation Requirements ..... 16

3.4.0 Siting the Appliance ..... 17

3.4.1 Hearth Requirements ..... 17

3.4.2 Gas Supply ..... 17

3.4.3 Back Panel Requirements ..... 17

3.4.4 Appliance Dimensions ..... 17

3.4.5 Flue Terminal Location ..... 18

3.4.6 Install into Studding ..... 19

3.5 Preparing the Opening ..... 20

3.6 Installation Methods ..... 22

3.7 Combustible Shelf ..... 23

3.8 Hole in the Wall Installation ..... 23

3.9 Slim Trim Installation ..... 24

3.9.1 Slim Trim Back Panel Requirements ..... 25

4.0 Fixing the Appliance—Screw Fixing ..... 26

4.1 Fitting the Flue System ..... 27

4.3 Connecting the Gas Supply ..... 32

4.4 Appliance Data ..... 33

4.5 Log Layout Instructions ..... 34

4.6 Controls ..... 39

4.6.1 Lighting the Fire ..... 39

4.7 Completing the Installation ..... 40

4.8 Health & Safety Notice ..... 41

4.9 Cleaning the Appliance ..... 41

SERVICING INSTRUCTIONS

5.0 Servicing the Appliance ..... 42

5.1 Removal the Burner Tray ..... 42

5.2 Removal of the Gas Valve ..... 45

5.3 Removal of Pilot ..... 46

5.4 Removal of the Igniter (Spark Generator) ..... 47

5.5 Removal of the Tee Valve (High Setting) ..... 48

5.6 Removal of the Injectors ..... 49

5.7 Inner Side Glass Panel Removal ..... 51

5.7.1 Inner Rear Glass Panel Removal ..... 52

6.0 Record of Annual Services ..... 53

7.0 Product Fiche ..... 54

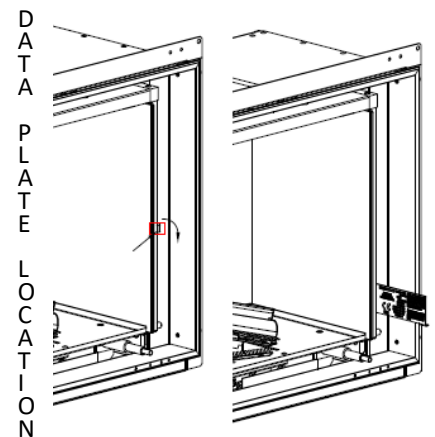
8.0 Manufacturers Instructions and User Replaceable Spares ..... 56

## 1.0 APPLIANCE COMMISSIONING CHECKLIST

It is the installers responsibility to complete the following checklist when commissioning this appliance. The information recorded on this page may be requested at the time of any warranty call made. If the information is not made available it may affect the warranty support for the customers appliance.

CHECK LISTS	PASS	FAIL
Check standing gas pressure		mbar
Check working pressure on full rate (Min. 18.5) Ensure all other gas appliances are running on full rate		mbar
Complete relevant section of warranty forms , ensure it is complete with Gas Safe registration details.		
Instruct the customer on lighting, maintenance and servicing procedures. (Including glass removal and ceramic placement)		

Appliance Serial Number	
Installation Date	
Gas Engineer Name	
Gas Safe Engineer Registration No.	
Gas Safe Engineer contact No.	



If you can smell gas, immediately turn off the gas supply using the control valve at the meter in your home. Do not smoke and turn off all sources of ignition, i.e. boilers or gas hobs. Open windows and doors to ventilate the room or building.

Call the Gas Emergency Service      0800 111 999 (England Scotland and Wales)  
0800 002 002 (N. Ireland)

## Welcome

**2.0** Congratulations on the purchase of your new Be Modern Calleos 600 Balanced Flue gas fire. Ensure you keep these instructions in a safe place as they will be required for installation, service and general upkeep of your appliance.

These instructions should be followed precisely to ensure that you receive many years of trouble free service from your appliance.

Some general maintenance is required by the user to keep the appliance in its best condition, these are detailed later in this instructions manual.

## Important

This gas appliance **MUST** be installed by a GAS SAFE registered installer by law. It must be installed in accordance to these installation instructions and the GAS SAFETY (Installation & Use) REGULATIONS 1998 as amended. Non compliance of this law may lead to prosecution and it is in the interest of you and your family that this condition is observed. Check with your gas installer that they have current membership to Gas Safe and that their membership includes gas fires.

It is very important that you also have your gas appliance serviced annually by a Gas Safe registered engineer. During this service the engineer will check the operation and performance of the appliance. This is important for you and your families safety

Check for the Gas Safe logo on your gas engineers membership card.



## Warnings

Do not place soft wall coverings (i.e. embossed papers etc,) furniture or other combustible items too close to the fires as they may discolour or scorch.

Do not place or throw rubbish or otherwise on the fuel-bed.

Do not place any combustible materials or flooring (i.e. carpets etc,) on any part of the hearth.

**Many parts of this appliance and some surrounding areas will become hot during use.**

This appliance has a naked flame and as with all heating appliances a fireguard should be used for the protection of children, the elderly and infirm. The fireguard should conform to BS8423 : 2002 (Fireguards or use with Gas Heating Appliances).

It is quite normal for a flame effect gas appliance to experience a small amount of soot or staining to some parts of the fuel effect components. If this becomes excessive it may be because the fuel bed is not fitted correctly — this should be checked according to these installation instructions prior to contacting a service engineer.

**NEVER** place any rubbish or otherwise onto the fire—this will affect the way the product operates and may affect the warranty of the product.

**NEVER** place more ceramic components onto the fuel bed than specified in the instructions.

**NEVER** touch the ceramics when the appliance has recently been switched off—these components retain heat and may cause burns. Leave the appliance to sufficiently cool prior to any contact of the ceramics.

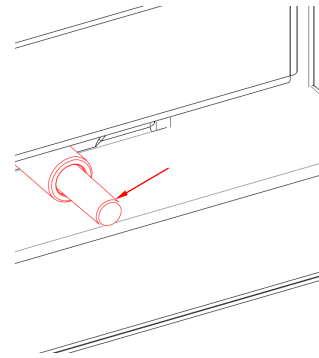
## Ventilation

No purpose made ventilation is normally required for this appliance when installed in G.B. Ventilation areas (if applicable) should be checked periodically to ensure there is no obstruction, even though none is normally required for this appliance.

## Controls

2.1 This appliance has a concealed slide control knob. It is discreetly concealed in the space between the decorative trim and the glass door frame on the lower right hand side. Simply press the knob and it will protrude from its current position to enable operation.

The knob will slide from left to right, this movement controls all functionality of the appliance, from ignition, flame control and turning the appliance off. When the desired operation is complete, simply press the knob inwards and it will return to its stowed position.



## Lighting

Slide the control knob to the left to the ignition symbol. After a few seconds the pilot light should light.



If the pilot light does not light, release the control knob and wait for 3 minutes before reattempting. If the pilot does not light after 3 attempts, check the battery—see page 6. If the battery is new and the pilot still fails to light, contact a gas safe engineer.



Once the pilot is lit, keep the lever pushed to the left for up to 10 seconds then release. The pilot should stay lit and the central and front log burners will now light.

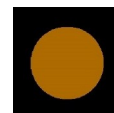
The appliance is now running at the LOW setting.



Slide the knob slowly to the right to turn the rear log burners on. The appliance is now running at the HIGH setting.



To turn the fire off, slide the lever all the way to the right to the OFF symbol.



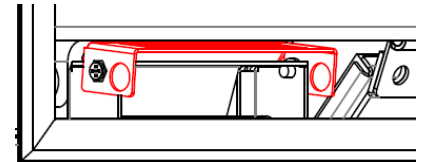
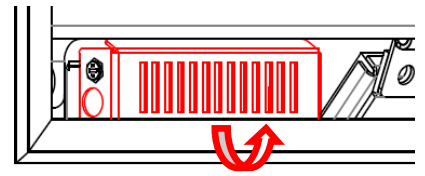
Should the spark generator fail to provide a spark at the electrode it may be that a small amount of soot has fallen from the fuel bed onto the pilot assembly, causing a short circuit. If this is the case, ensuring the appliance is off and cold, this area can be cleaned with the thin nozzle from a vacuum cleaner. See page 6 for details on glass removal to access this area.

Alternatively check the battery is in good condition—see page 6 for details.

## Battery

**2.2** This gas appliance uses a single AAA type battery which supplies the power for the spark generator used during the ignition process. The battery box which houses this battery is located between the decorative frame and the glass door panel in the lower left hand corner.

Open the rotatable cover to access the battery compartment as shown in the diagram. Replace the battery ensuring correct polarity.



## Trim

The appliance is supplied with an SLIM style trim. This is the only trim option for the Calleos 600BF appliance. For full details on the trim removal see page 24. If the trim is removed, always ensure it is stored somewhere safe where it cannot be damaged.

## Glass Door

The glass door can be removed for cleaning or to access the ceramic logs and pilot area for maintenance. It should be noted that some faint grey marks will be deposited on the glass panel after use, this is normal. It is caused by impurities in the air being burnt which are deposited by the water vapour produced during combustion. This vapour condensates on the inside face of the glass when it is cold. Any such marks can be removed using a spray glass cleaner but take care not to spray onto any paintwork.

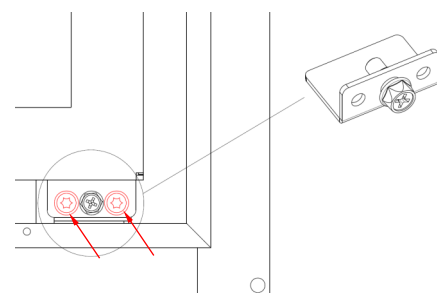
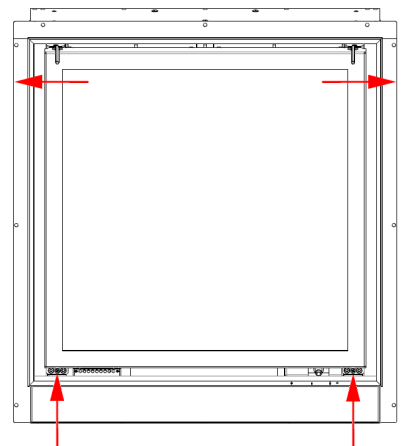
First, remove the two hexagonal headed bolts at the base of the glass.

Use the special Allen key supplied with the appliance to release the two door clasp features at the top of the door. Insert the Allen key into the nut and rotate. The left hand nut should be rotated to the left and the right hand key to the right, as shown.

Once released, the door will hang on two retaining clips at the top of the firebox. To remove the door, lift it slightly to clear the retaining clips and the door can be removed.

The glass can now be cleaned on the inside.

Should any of the threaded bosses become damaged, replacement parts can be purchased from the manufacturer.



**Never run the appliance with a damaged or broken glass panel**

## Cleaning

Cleaning is recommended for some parts of this appliance. The glass can be cleaned with a non abrasive glass cleaner and lint free cloth. See page 6 for details on cleaning inside glass panel and door removal. Metal parts can be cleaned with a lint free damp cloth.

## Fuelbed

### HEALTH AND SAFETY NOTICE

This appliance uses fuel effect pieces manufactured from Refractory Ceramic Fibres (RCF). Care must be taken to avoid excessive exposure to these materials as they may cause irritation to the eyes, skin, nose and throat. When Handling avoid inhaling and contact with skin and eyes. It is recommended that disposable gloves are worn in addition to a facemask and eye protection. After handling wash hands thoroughly and any other exposed parts which may have come in to contact with the material.

If a vacuum cleaner is used to clean the fuel bed or areas around the appliance there fragments of the material may have fallen it is recommended that it be of the type fitted with a **HEPA** filter. Care should be taken when disposing of RCF materials. It is important to keep any dust to a minimum so it is recommended that the fuel effect components are placed into a heavy duty plastic bag. The bag should be clearly labelled **RCF WASTE**. These materials are not classified as hazardous waste and should be disposed of at a site approved for the disposal of industrial waste.

The fuel effect components supplied with this product are extremely fragile and must be handled with great care. The ceramics in this appliance are not covered by the warranty due to their fragility. This includes the RCF fibre boards in the fire box. These components will break or chip if not handled with the greatest of care.

Cleaning of these components should only be undertaken once the appliance is switched off and has been allowed to cool for a minimum period of one hour. The components should be lifted carefully piece by piece from the appliance and placed onto a dust sheet or similar. They can be brushed gently with a soft brush to remove any dust or deposits. If you intend to use a vacuum cleaner then this should only be done once the loose deposits of soot etc have been removed. Ensure that the moulded components are structurally sound and no significant part of the moulding has broken away. If any component has broken then it should be replaced before using the appliance. Only the correct replacement part as supplied by the manufacturer shall be used in this appliance. Do not add any additional components to the fuel bed layout. It is important to note that small hairline cracks will appear in the surface of the ceramics due to heat expansion and contraction—this is perfectly normal.

**See the full details of log and fuel bed installation on page 9 for removal and replacement of the ceramic log and bark components.**

## Important

This appliance **MUST** be installed and commissioned by a GAS SAFE installer. Under no circumstances must any attempt be made to fit or run this appliance unless it has been installed correctly.

The appliance required some assembly prior to installation and again, this should only be undertaken by the GAS SAFE installer.

This appliance is supplied in two cartons, the firebox assembly and the flue system. It is important to ensure that both cartons are available at the time of the installation.

Never attempt to run this appliance if the glass panel is not fitted or the glass panel is broken.

Contact the manufacturer for replacement components where necessary, including glass door assemblies. Only components supplied by the original manufacturer are suitable for installation into this appliance.

It is recommended that this appliance be serviced annually to ensure that it is operating safely.

It is mandatory that a suitable CO alarm be installed in the room where this appliance is installed. Refer to Building Regulations Document J amendments July 2022.

*“Where a new or replacement fixed gas burning appliance (excluding gas appliances used solely for cooking) is installed in a dwelling, a carbon monoxide alarm should be provided in the room where the appliance is located. “*

Carbon monoxide alarms should comply with BS EN 50291-1:2018 and be a Type A alarm powered by a battery designed to operate for the working life of the alarm. The alarm should incorporate a warning device to alert users when the working life of the alarm is due to pass.

Mains-powered BS EN 50291-1:2018 Type A carbon monoxide alarms with fixed wiring (not plug-in types) may be used as an alternative, provided they are fitted with a sensor failure warning device



## Log Setup

**2.3** The following instructions detail how the ceramic fuel bed and loose components are to be installed onto the appliance. Great care should be taken when handling these ceramic parts as they are fragile and can easily be broken. Do not force any component into position, if it does not fit easily then you are not fitting the part correctly. These instructions can also be followed to remove or reinstall the fuel bed after cleaning. This is a procedure that can be undertaken by the customer as required and the frequency will be depend upon use.

**See page 6 for glass door removal and installation.**

The fuel bed setup involves the installation of volcanic rock, ceramic bark, ember wire and a boxed set of ceramic decorative logs. These components will have been installed by your gas engineer at the point of installation, however it is permitted for the end user to remove clean and replace these components as necessary. The following installation instructions must be adhered to at all times.

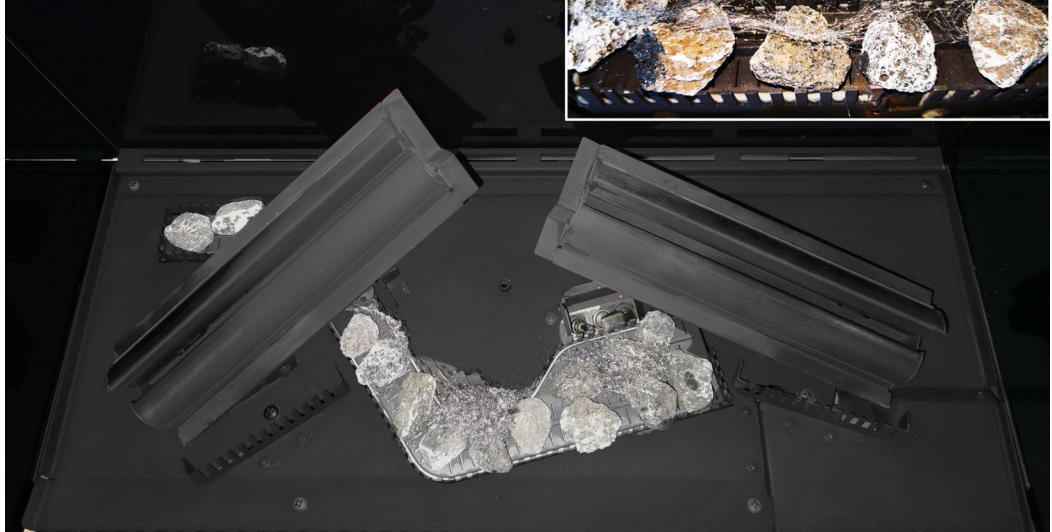
The following diagram is for identification purposes. It is imperative that the logs are placed in the correct position for safety and also to ensure that you obtain optimal performance from your appliance.

## Identify

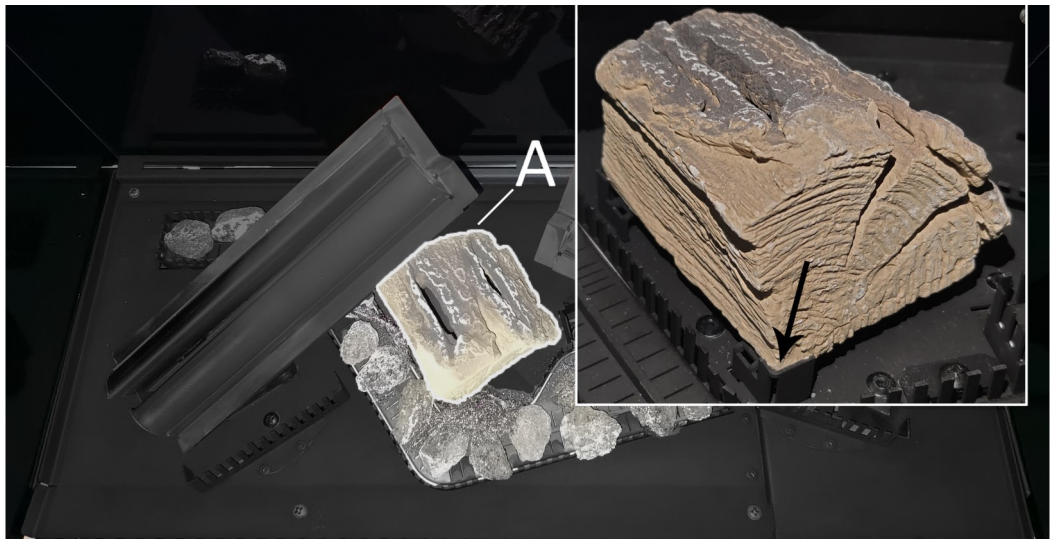


## FUELBED

Place the volcanic rock on top of the centre burner as shown. Ensure a 4-5 mm gap is left between each piece. Then using **half** of the glowing ember wire supplied, ruffle between fingers to make it loose, about 20mm wide and as long enough to cover the volcanic rock then align over the rock as shown. Ensure no wire is placed within 25mm of the pilot assembly. Retain the other half of the wire for replacement at annual service.



Place Log A in the orientation shown ensuring it fits neatly into the locating features as shown below.



Place Log B onto the left raised burner as shown ensuring it fits securely.



Place Log C onto the right raised burner as shown ensuring it fits securely.



Place Log D in the orientation shown below.



Place Log E in the orientation shown below.



Place Log F onto the burner bed in front of the centre burner as shown below.

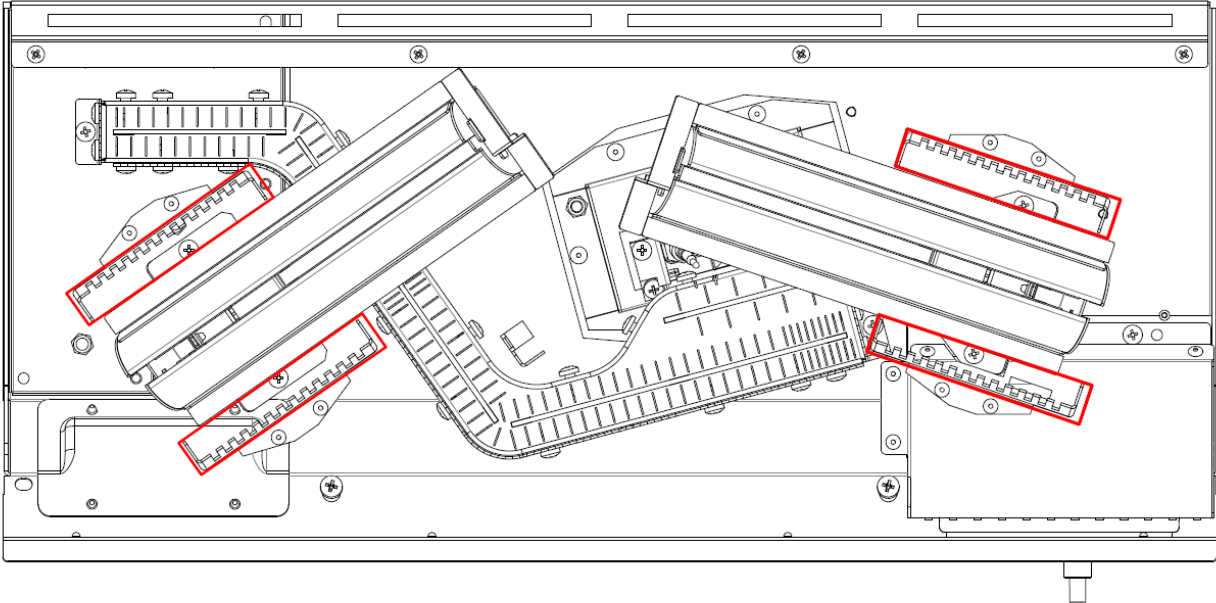


## Bark

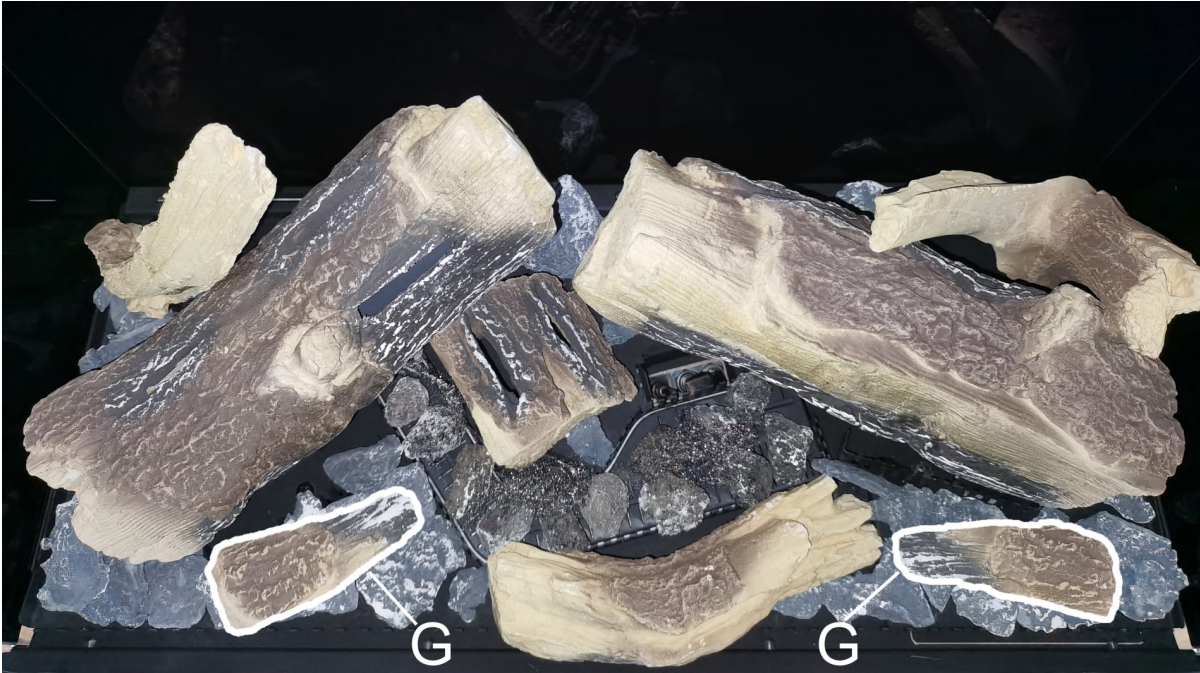
Place the bark around the fuel bed as shown. Ensure that no bark can interfere with the pilot operation.



Ensure that no bark is placed in the red area.



Place Log G as shown in the picture below.



## Running In

2.4 When this appliance is first used it is important to note that you will experience some fumes and smells in the room of operation. Any fumes emitted during the first few minutes of use can be quite pungent and it is advised that a window is opened until this subsides. Smells associated with paints, oils and starch from ceramic components may last several hours but will rapidly diminish over the first few uses of the appliance.

It is advisable that the appliance is always run on high for a period of at least 20 minutes before turning to low, to ensure optimal flue performance and to reduce the possibility of sooting.

It should be noted that as with all flame effect gas appliances, some sooting can be evident and can be cleaned away—see cleaning instructions on previous pages.

## Trouble Shooting

The following table should be used to identify any problems experienced with the operating or running of your appliance prior to contacting the manufacturer or retailer regarding service.

### THE FIRE WILL NOT LIGHT

Can you hear a continuous clicking during the ignition process?	YES ↓	NO Check Battery
Does the pilot light?	YES ↓	NO Check and remove soot or <i>ember wire</i> near the pilot
Does the pilot go out when the lever is released?	YES →	Try again, but before releasing the lever give a firm push to the left before releasing the lever.

### THE FIRE GOES OUT

Does the fire light and run ok then subsequently turns off automatically	YES →	The thermocouple may need replacing.
--	-------	--------------------------------------

### VISUAL PROBLEMS

Does the flame picture look wrong?	YES	Check log placement as per the user instructions see pages 9-13
Does the glass have grey water marks on inside surface	YES →	The glass will require infrequent cleaning dependant on use. See page 6 to open door.

## Warranty

The Be Modern 5 year limited guarantee is managed directly by Be Modern Ltd. With our experienced Gas Safe engineers and through our extensive network of service centres throughout the UK we will ensure your appliance receives the right care should anything fail prematurely.

**Unpacking appliance**

### 3.0 TAKE GREAT CARE WHEN UNPACKING THE APPLIANCE—SOME PARTS CAN BE EASILY DAMAGED.

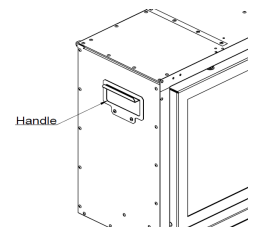
Once the carton has been opened, carefully remove the packing components to reveal the appliance.

The appliance has two handles, one on each side, as shown in the diagram below. **These handles are for initial handling only, they should be removed prior to the installation into the fireplace opening.**

The **Calleos 600 Slim Trim** is supplied with the appliance. This is the only trim option for the Calleos 600 BF

Carefully remove the **Calleos 600 Slim Trim** from the mouth of the appliance.

Carefully lift the appliance from the carton using the handles then remove and check the accessory packs before commencing the installation.

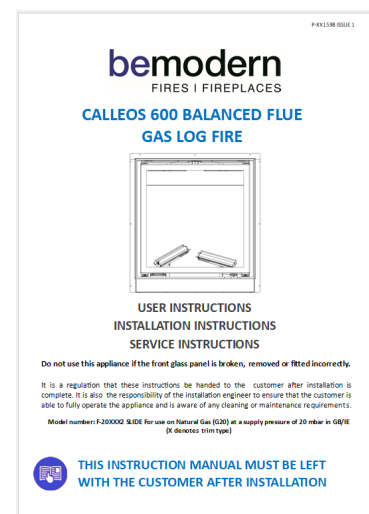


There will be **three(3)** plastic bags also located in the carton:

Instructions and guarantee registration form. Note that the guarantee registration can be performed online at:

<https://www.elginandhall.co.uk/advice/warranties/>

FITTINGS PACK FOR FIRE			
Item	Picture	Description	Qty
1		Rubber Grommet	1
2		Foam Seal	1
3		Aluminum tape	1
4		Isolation Elbow	1
5		Wooden Wall Plug	9
6		ST5*40 Wood Screw	9
7		Allen Key To be left with the customer after installation is complete	1
8		Ember Wire	1
9		ST4.2*10 Screw	4
10		ST3*6 Screw	6



FITTINGS PACK FOR FLUE			
Item	Picture	Description	Qty
1		Aluminum tape	1
2		Wooden Wall Plug	8
3		ST5*40 Wood Screw	8
4		ST3.9*6.5 Screw	17
5		Terminal Guard Retainer	1
6		Washer	4

## Regulatory Information

### 3.1 NOTE THE FOLLOWING PRIOR TO THE INSTALLATION OF THIS APPLIANCE.

This gas appliance **MUST** be installed by a GAS SAFE registered installer by law. It must be installed in accordance to these installation instructions and the GAS SAFETY (Installation & Use) REGULATIONS 1998 as amended. Non compliance of this law may lead to prosecution and it is in the interest of you and your family that this condition is observed.



Check for the Gas Safe logo on your gas engineers membership card.

The installation of this appliance must be in accordance with the relevant parts of the LOCAL AND NATIONAL BUILDING REGULATIONS as issued by the Department of the Environment or BUILDING STANDARD (Scotland Consolidation) REGULATIONS issued by the Scottish Development Department and the following relevant British Standards:

<p><b>BS5871</b> <b>BS5440</b> <b>BS6891</b> <b>IS813:1996</b></p>	<p>Part 2 Installation of Inset Live Fuel Effect Gas Fires Parts 1 &amp; 2 Installation of Flues and Ventilation Installation of Gas Pipe-work Domestic Gas Installation (Republic of Ireland)</p>
--	--

If the product is being installed into a timber framed building then advice should be sought specifically as building alterations may void any cover supplied by NHBC. If in doubt contact your local building and planning authority. Further information can be obtained from the publication: Gas Installations in Timber Frame Buildings : IGE/UP/7 Edition 2.

## Efficiency /Technical

**3.2** The efficiency of this appliance has been tested to EN613 and the result is 75.1% net (67.6% gross) with the longest flue and 72.9% net (65.6% gross) with the shortest flue. This efficiency value has been verified by Kiwa (0558). This efficiency value can be used for SAP (Standard Assessment Procedure) for energy rating of UK dwellings.



### Appliance Technical Information

<b>GAS TYPE:</b> NATURAL (G20)	<b>GAS CATEGORY:</b> I <sub>2H</sub>	<b>INLET PRESSURE:</b> (COLD)20mBar
<b>HEAT INPUT:</b> GROSS 6.4kW	<b>INJECTORS:</b> 0.94 (3) 0.98 (1) 1.03 (1)	<b>DESTINATION COUNTRIES:</b> GB / IE

## Installation Requirements

**3.3** Prior to installation ensure that the gas supply is compatible with the appliance, this appliance must only be used on **natural gas (G20)** at a supply pressure of 20 mbar as marked on the data plate on the appliance and the carton. This appliance is intended for use on a gas installation with a governed meter.

This appliance must only be installed in accordance with BS5440: Part 1 and these installation instructions.

For minimum and maximum flue dimensions refer to page 17 of these instructions. The horizontal flue section only should be modified by the installer to suit the installation, no modification should be made to the flue terminal. The guard (supplied) must be fitted to the terminal if any part of the terminal is below 2 metres above any accessible point, i.e. the ground or balcony etc.



## Site Requirements

**3.4.0** Do not place soft wall coverings (i.e. embossed papers etc,) furniture or other combustible items too close to the appliance as they may discolour or scorch. Do not place or throw rubbish or otherwise on the fuel-bed.

It is very important that you arrange for a GAS SAFE registered engineer to service your appliance every year – This is important for you and your families safety.

NEVER place more ceramic components onto the fuel bed than specified in the instructions.

NEVER touch the glass panel or metal parts surrounding the glass when the fire is running or if it has recently been in operation—these components retain heat and may cause burns. Leave the appliance to sufficiently cool prior to any contact.

**WARNING:** This appliance has very hot surfaces when in use and as with all heating appliances a fireguard should be used for the protection of children, the elderly, infirm and pets. The fireguard should conform to BS8423 : 2002 (Fireguards or use with Gas Heating Appliances).

## Hearth

**3.4.1** This appliance must only be installed on to a suitable hearth with a minimum thickness of 12mm. The appliance must not be installed directly onto carpet or other combustible floor materials. The fireplace surround (back-panel) must have a temperature rating of at least 150°C.

## Gas Supply

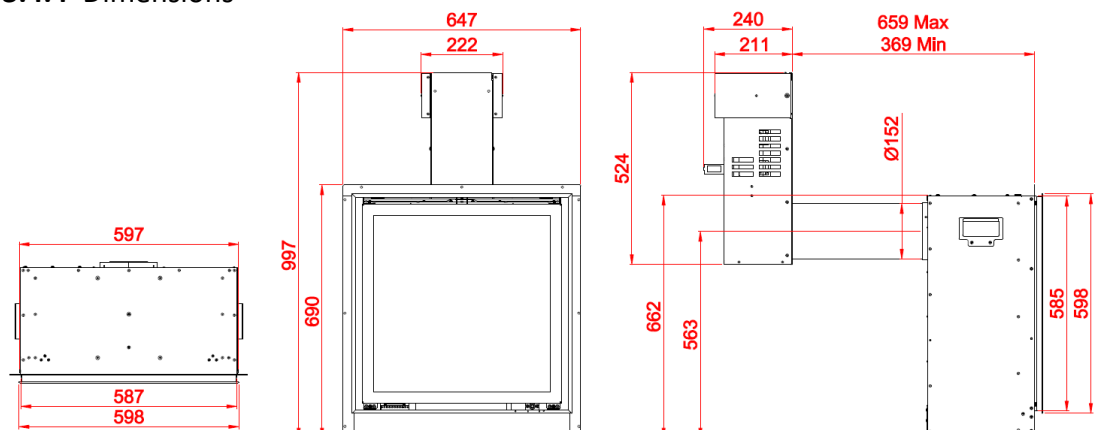
**3.4.2** This appliance is suitable for use on natural gas (G20) only from a governed meter. It is the responsibility of the installer to ensure that correct pipe sizing has been supplied to the site for correct performance. 8mm diameter ductile copper tubing should be used for the run to the appliance at a maximum length of 500mm to avoid pressure drops. The appliance is supplied with a isolation device which must be used as part of the installation. There should be no soldered joints within the firebox of the appliance.

## Back Panels

**3.4.3** If the appliance is being fitted with the flange against slips or a back panel, it must be of a suitable material. The back-panel must be able to withstand 150°C continuously or be 'O' rated (fire retardant). It is recommended that this back panel is constructed of 3/4 sections then re-bonded as a single panel to provide the correct opening size and make the installation easier. Single piece back-panels or backing slips are highly likely to crack in time and no responsibility will be held by the appliance manufacturer for such installations.

## Appliance Dimensions

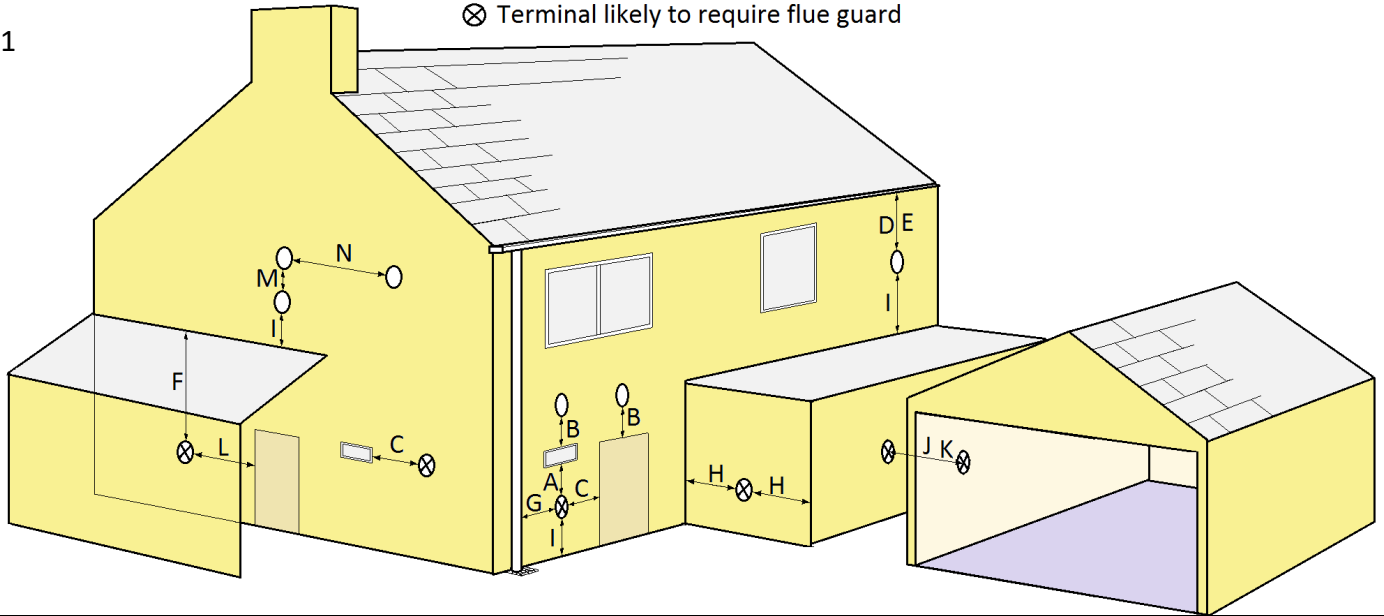
### 3.4.4 Dimensions



## 3.4.5 REGULATORY REQUIREMENTS FOR FLUE TERMINAL LOCATION THE FOLLOWING MUST BE NOTED PRIOR TO THE INSTALLATION OF THIS APPLIANCE.

- Terminal without guard
- ⊗ Terminal likely to require flue guard

Figure 1



Key	Terminal Position	Minimum Distance
A*	Directly below an opening, airbrick, opening window etc.	300mm
B*	Above an opening, air brick, opening window etc.	300mm
C*	Horizontally to an opening, air brick opening window etc.	300mm
D	Below gutters, soil pipes or drains.	300mm
E	Below eaves.	300mm
F	Below balconies or car port roof.	600mm
G	From a vertical drain pipe or soil pipe.	300mm
H**	From an internal or external corner	600mm
I	Above ground, roof, or balcony level.	300mm
J	From a surface facing the terminal.	600mm
K	From a terminal facing a terminal	600mm
L	From an opening in a car port (e.g. door, window) into dwelling.	1200mm
M	Vertically from a terminal on the same wall.	1500mm
N	Horizontally from a terminal on the same wall.	300mm

\* In addition, the terminal should not be nearer than 300mm to an opening in the building fabric formed for the purpose of accommodating a built-in element such as a window frame or door frame.

\*\* The reference to external corners does not apply to building protrusions not exceeding 450mm, such as disused chimneys on external walls.

A terminal guard is supplied with this appliance. It is a requirement in England and Wales that this a guard be fitted where the flue terminal may come into contact with people near the building or be susceptible to damage.

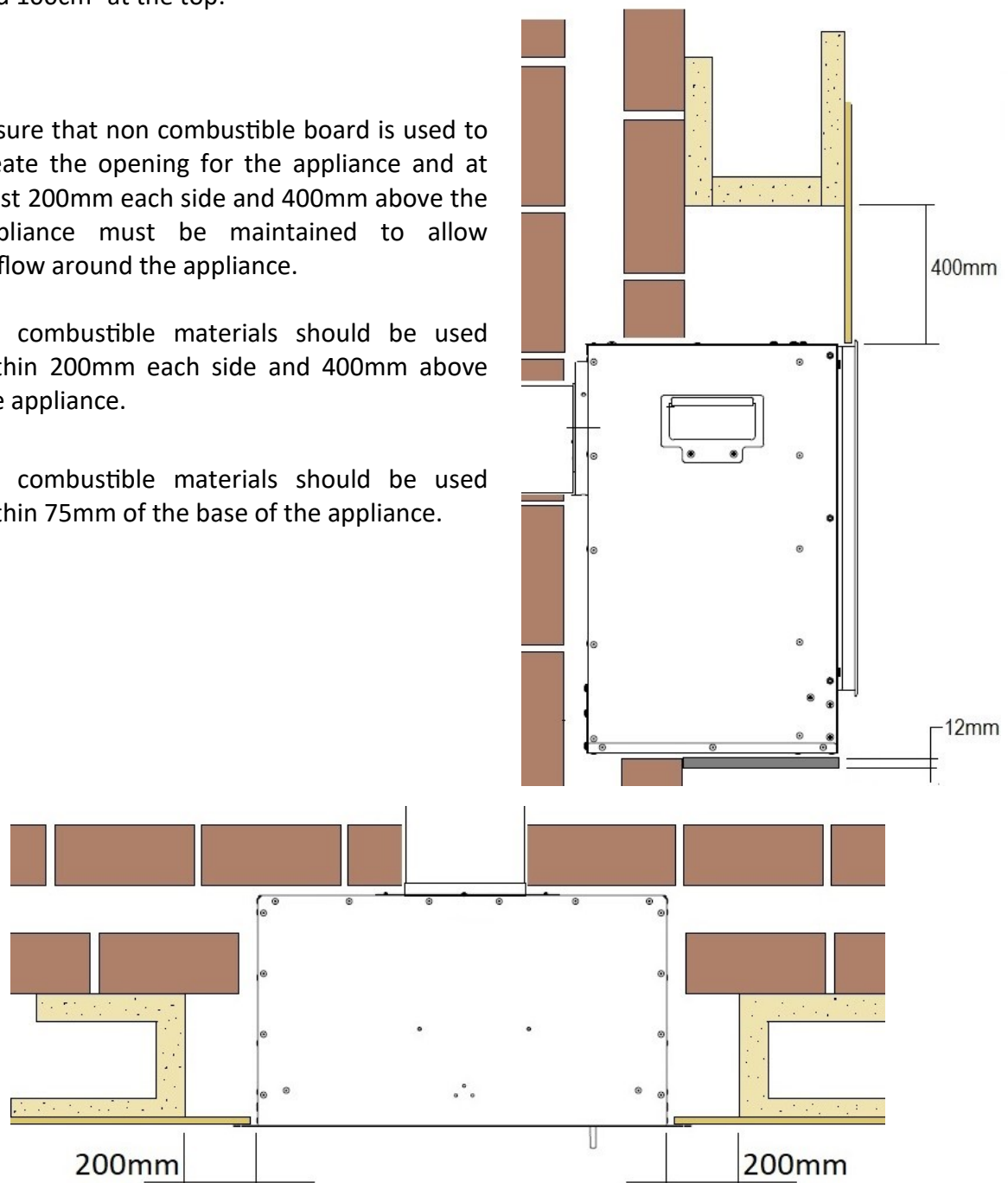
In the republic of Ireland the installation must conform to the relevant sections of IS813 'Domestic Gas Installations'. Be Modern recommend that the terminal guide be fitted in any area where it may be damaged or contact could be made with the flue terminal.

**Studding**

**3.4.6** The following diagrams detailing installation into studding also show the area which must be clear of all combustible materials.

**It is also possible to install this appliance into a studded cavity providing it complies to the following requirements:**

- The top outer face of the firebox should be insulated to prevent heat loss with a layer of mineral wool insulation or similar.
- The appliance must stand on a non-combustible surface with a minimum thickness of 12mm.
- The cavity void must be well ventilated with provision for airflow to enter and exit at the base and top of the enclosure. The minimum ventilation should be  $100\text{cm}^2$  at the base and  $100\text{cm}^2$  at the top.
- Ensure that non combustible board is used to create the opening for the appliance and at least 200mm each side and 400mm above the appliance must be maintained to allow airflow around the appliance.
- No combustible materials should be used within 200mm each side and 400mm above the appliance.
- No combustible materials should be used within 75mm of the base of the appliance.



## 3.5 SITING THE APPLIANCE AND PREPARING THE OPENING

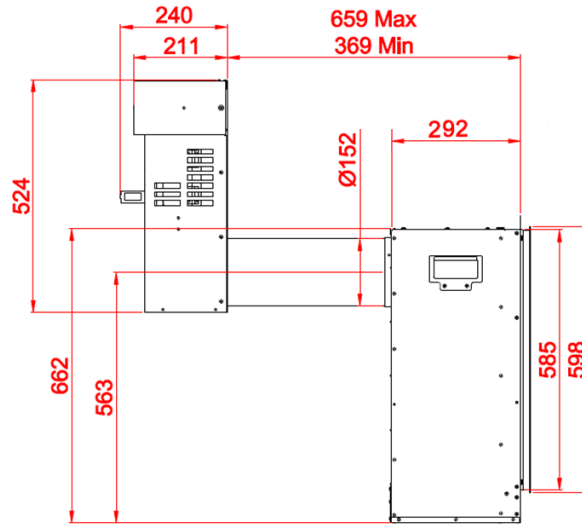


Figure 2

Figure 2 shows the maximum length flue attached to the appliance. If the distance from the front face of the back panel to the outside wall exceeds 659mm the installation cannot proceed. In most installations the flue section will need to be cut to the appropriate size. Any reduction to flue length must be removed from the end opposite the terminal and the three holes then re-drilled to fix the flue to the appliance—use the holes in the waste section of flue as a guide. Take note of the orientation of the flue pipe as it should be installed correctly—see marking on flue.

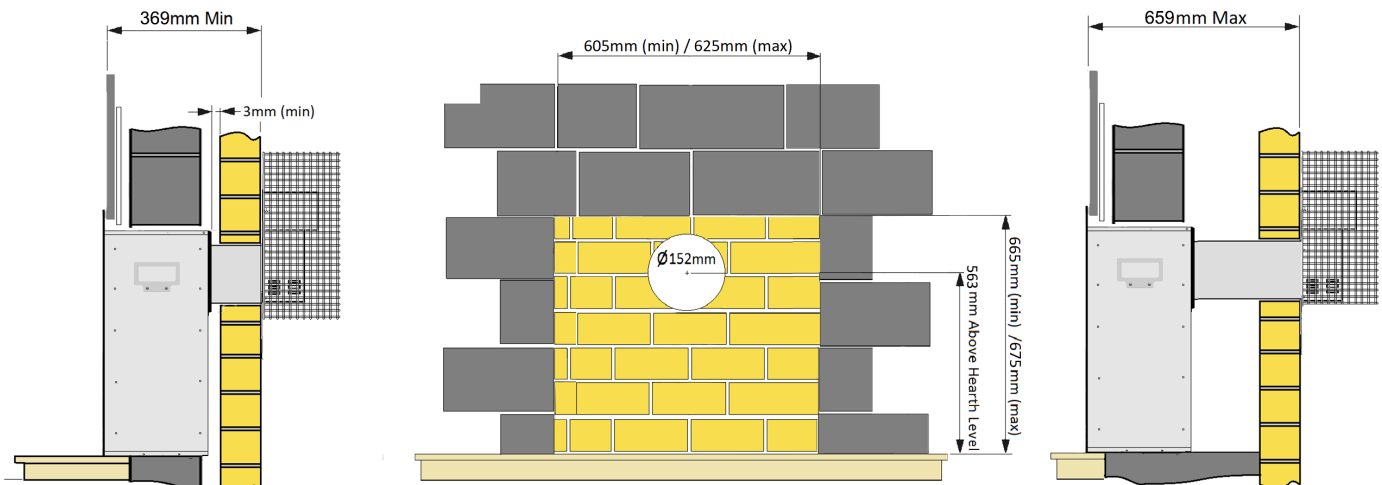
**DO NOT CUT THE FLUE YET. ONCE THE APPLIANCE CAN BE PLACED IN POSITION THE FLUE LENGTH CAN BE CHECKED BEFORE CUTTING—REPLACEMENT FLUES WILL BE CHARGED FOR IF THE FLUE IS CUT INCORRECTLY.**

### FLUE CUTTING INFORMATION IS ON PAGE 28 OF THESE INSTRUCTIONS

Figure 3 shows the inner brickwork removed to accept the appliance. Note centre of the flue hole must be 152mm (6") (minimum) diameter and located at a height of 380mm from the base level of the appliance.

A clearance of at least 3mm must remain between the rear face of the appliance and the inner face of the outer brickwork—as shown below.

Figure 3



It may be necessary to install a lintel above the cavity that has been created. If a lintel is required to support the recess in the inner leaf (brickwork) then it should either be steel or reinforced precast concrete. The lintel should be the depth of the inner brickwork and be at least 900mm long.

Ensure that all dust and rubble is removed from the area. If any wall cladding exists ensure that it is removed and then pack the cavity in the area of the opening with at least 5" (125mm) of Rockwool above and at each side. **It is also necessary to fit a piece of Superlux board or equivalent to seal the top and sides of the cavity to prevent any granular insulation from falling into the cavity and to prevent heat entering this area which may cause smells during operation. This procedure MUST be adhered to else warranty will be void.**— Ensure that the board slopes down towards the outside wall to enable any moisture to run outwards.

### Timber Frame Buildings

If the appliance is being installed into a timber framed building the hole through which the flue will pass must have a steel sleeve positioned such that a minimum 25mm air gap exists between the outside diameter of the flue pipe and the metal sleeve – in addition, contact your local building and planning authority (see safety notes on page 16).

### Cutting the Hole in Outer Brick Work

Refer to the dimensions on page 20 to ensure that flue hole is drilled at the correct height, allowing for the height of the hearth. Mark out the cut-out for the inner brickwork and the flue centre line. Using a core drill is the quickest and easiest method to produce the hole required for the flue in the outer wall. Alternatively a hammer and cold chisel can be used however care should be taken not to damage brickwork surrounding the flue pipe as some of this will be visible after installation is complete. If damage is caused to outer brickwork this should be made good when completing the installation. Check carefully to ensure that the flue hole is made in the correct position. Check the terminal position requirements on page 18.

When drilling the hole it is advisable that a pilot hole is drilled first. The hole should be drilled to approximately half the brick depth then complete the hole by drilling from the outside of the building, this will ensure that the entry and exit of the hole are clean and unchipped. Ensure that the flue hole is drilled horizontally.

### Preparing the Gas Supply for the Appliance

A gas soundness test should be performed to ensure that the existing pipe work in the property is sound.

The gas supply can be prepared for a concealed fitting from the rear. In all installation conditions the gas connection should be provided using 8mm (O/D) copper tubing. If the concealed installation method is chosen, there are three optional entry points at the rear/side of the appliance. The relevant 'knock-out' entry point should be removed to allow the gas supply to enter the appliance. **No soldered joints** should be used within the firebox of the appliance.

The connection to the appliance will be made using the restrictor isolation valve supplied with the appliance. This restrictor elbow is supplied loose and should be fitted as per the label on the instruction packet.

Ensure a gas soundness test has been performed to ensure that the existing pipe work in the property is sound.

If any part of the gas pipe will be situated in the cavity it **MUST** be sleeved in accordance with BS6891. flexible sleeving is permitted.

Methods of Installation

**3.6** This appliance has can be installed into a fireplace or a fabricated chimney breast to provide a hole in the wall solution:

Both installation types will incorporate the SLIM trim which is supplied with the appliance.

Where a hole in the wall solution is employed, it is recommended that the appliance flange is covered with non combustible slips to protect the wall surface and provide the correct opening size for the SLIM trim. If slips are not being used then it is important to ensure that non combustible materials capable of withstanding the heat are used in the installation. See page 19 for clearance from any combustibles. The **front flange of the appliance should be 135mm** forwards of the wall in which the appliance is being installed.

When the appliance is being installed into a fireplace, a **mantel rebate of 155mm** should be used (**if the back-panel/slip is 20mm in thickness**) to ensure sufficient depth to incorporate the fire once the inner leaf of brickwork has been removed.



This fire is suitable for fitting to non-combustible fireplace back panels with a temperature rating of at least **150°C**. (Check with your fireplace retailer that your back panel and hearth are capable of withstanding the higher temperatures of a balanced flue appliance. Some micromarble products can contain a high content of resin which can cause smells and discolouration of the backpanel. Be Modern accept no liability where unsuitable materials have been used.) - If in doubt please contact the supplier of the back panel to check suitability. It is recommended that the back panel be constructed of 4 sections with joints across the upper and lower level of the fireplace section to allow for expansion and contraction. The installation of this appliance into an unsuitable back panel or hearth/mantel material, where a surround component subsequently cracks or causes acrid resin smells, will not be deemed to be a fault of the appliance.

### 3.7 Combustible Shelf

This appliance may be fitted below a surround with a combustible shelf providing the following dimensional criteria is met:

There must be a minimum distance of 250mm from the top of the appliance to the underside of the shelf. The shelf must not project more than 120mm from the mounting surface of the appliance into the room. If the shelf projects more than 120mm then the distance between the top of the appliance and the underside of the shelf must be increased as shown below. After 150mm shelf projection the clearance must be increased by 50mm for every 30mm of additional projection.

Shelf Protrusion	Min. Distance Between Fire and Shelf
120mm	250mm
150mm	380mm
180mm	430mm
210mm	480mm

### 3.8 Fireplace Opening when appliance is to be elevated (Hole in the Wall Installation)

It is always important to ensure that the appliance is fixed securely to the fireplace opening so that no movement of the ceramics takes place when the appliance is operated. In addition it is imperative that ONLY fascia/trim arrangements that are supplied by Be Modern are deemed suitable to be used with Be Modern appliances in a 'hole in the wall' installation.

THE INSTALLER MUST INFORM THE USER OF THE FOLLOWING IMPORTANT NOTICES AFTER A HOLE IN THE WALL INSTALLATION HAS BEEN UNDERTAKEN.

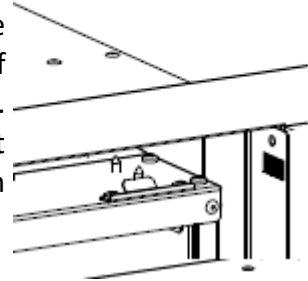
1. The user must be made aware to fit a secure fireguard where the room is used by elderly, infirm, infants, young children or pets.
2. The customer should be advised to fit a hearth panel or a physical barrier in accordance with BS5871-2. Should this advice not be followed the customer should be advised to give due to consideration to the safety of the occupants in the room where the appliance is to be installed. The customer should be informed that the glass panel on this appliance gets extremely hot when in use.
3. The user must be made aware to keep the area immediately in front of the appliance clear of combustibles items. This does not include the floor covering however such covering should be fixed.
4. The user must ensure that the ceramic fuel bed is maintained in the correct condition of installation, especially after cleaning. If the fuel bed is removed for cleaning or maintenance the ceramics should be checked for secure placing and tested for movement during appliance operation.
5. The user must ensure that other occupants of the room where the appliance is installed are notified to not get unnecessarily close to the appliance when in use or to position any furniture or appliances too close to the fire.

Edge Trim  
Installation

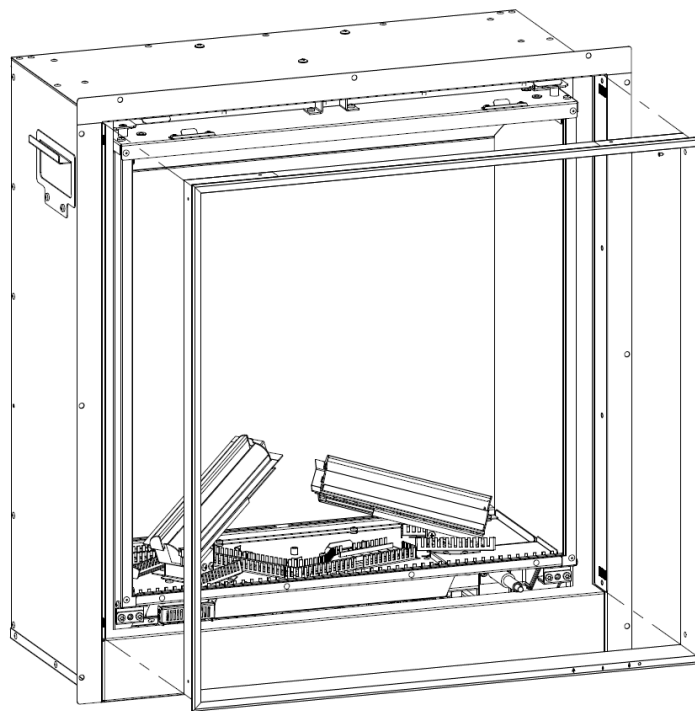
**3.9** The **Calleos 600 Slim Trim** is supplied with the appliance. Remove this trim and place somewhere that damage cannot occur whilst preparing the installation.

The appliance is already prepared for installation of this trim.

When the installation is complete the SLIM trim can be inserted into the appliance as shown below. Take note of the comb like slits in the protruding vertical side wings. These slots will allow the SLIM trim to be fixed into place at varying positions, depending on the thickness of the non combustible board/slip being used in the installation.

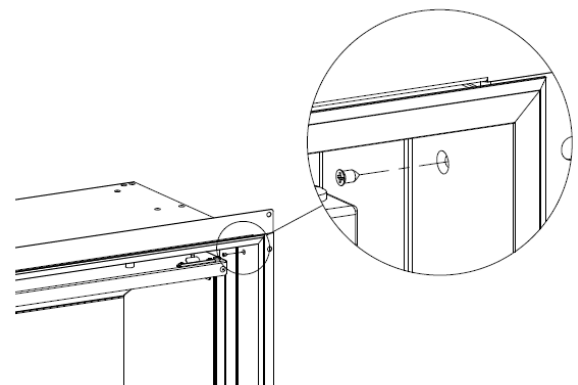


The SLIM trim will accommodate up to 32mm of material between the front of the appliance flange and the inside face of the SLIM trim.



The appliance is now ready to accept the **Calleos 600 Slim Trim** once the appliance has been installed. It is fixed into position using the 4 small screws supplied (Item 10, FITTINGS PACK FOR FIRE , page 15 )

**Removal of the Calleos 600 Slim trim requires the removal of these 4 inner screws. Then simply ease the trim forwards as it disengages from the upper support brackets.**

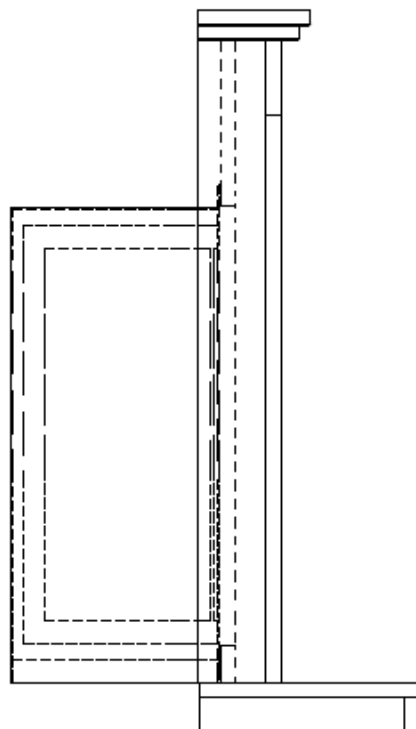
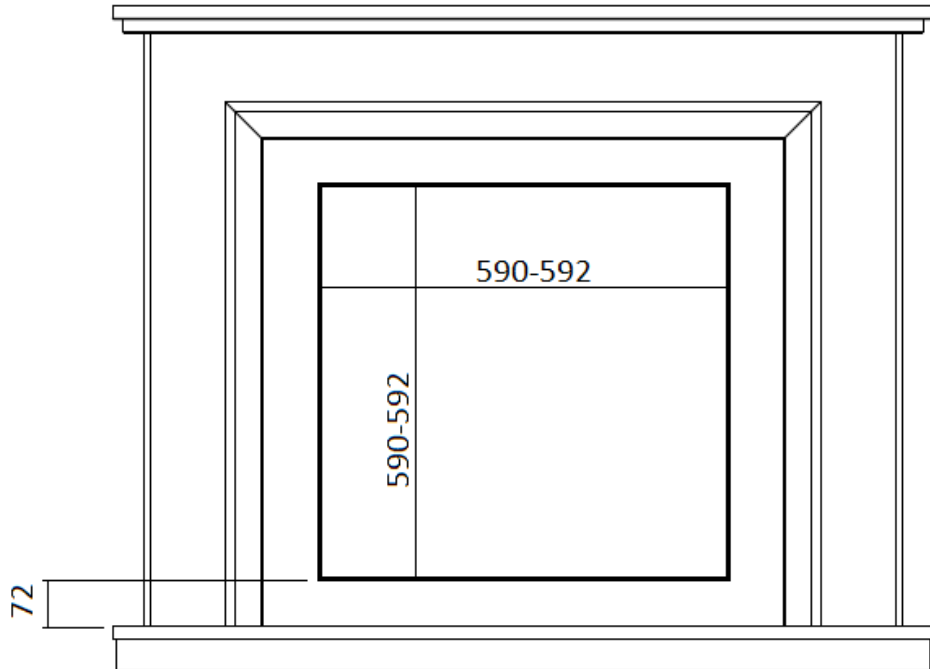




Edge Trim Installation

3.9.1 When the **Calleos 600 Slim Trim** option is selected the following diagram shows the back panel/slip set dimensions which should be used.

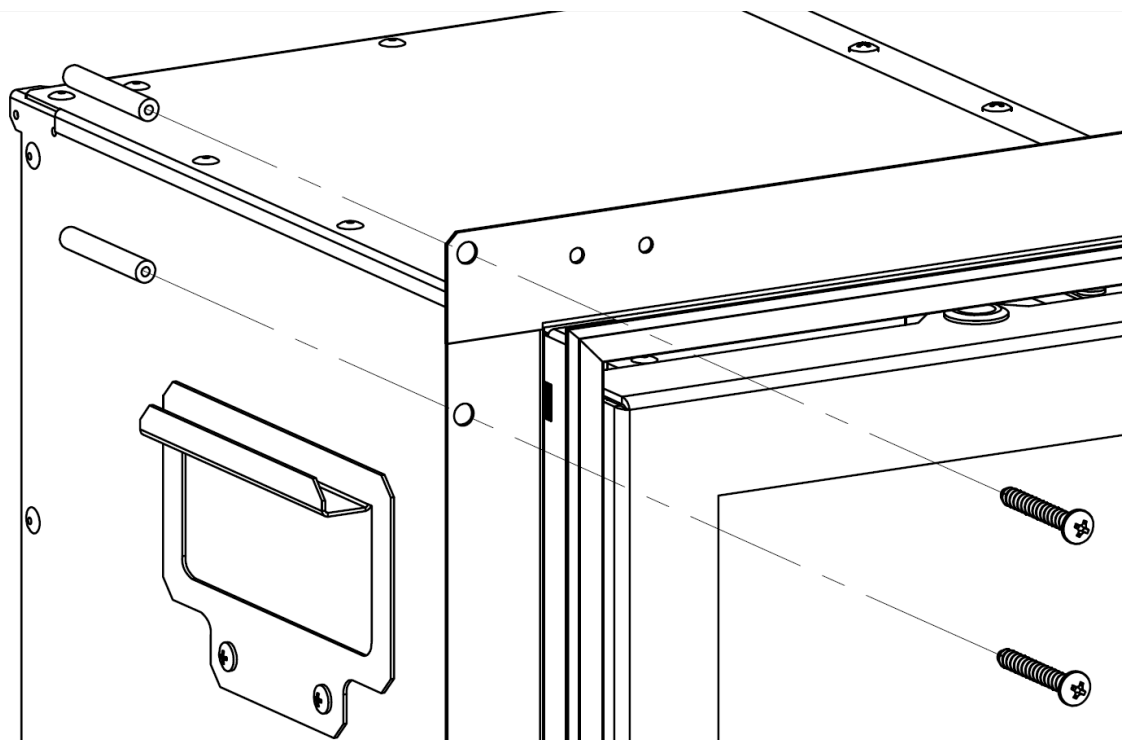
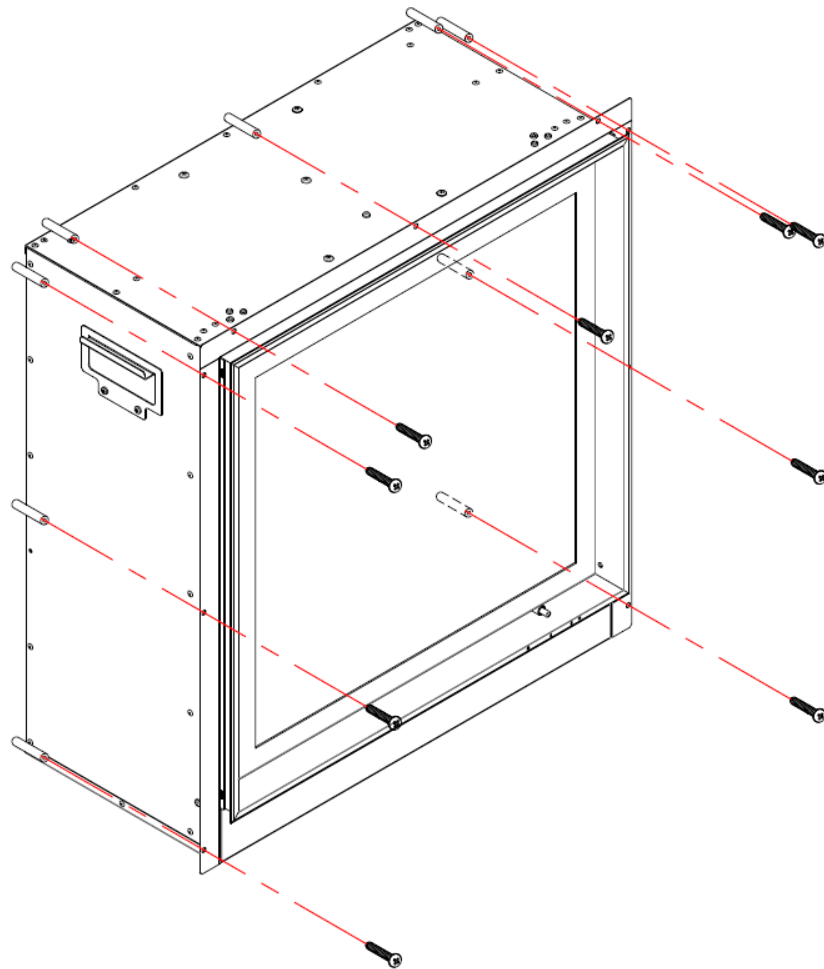
Critical Mantel Dimensions



Fixing the  
Appliance

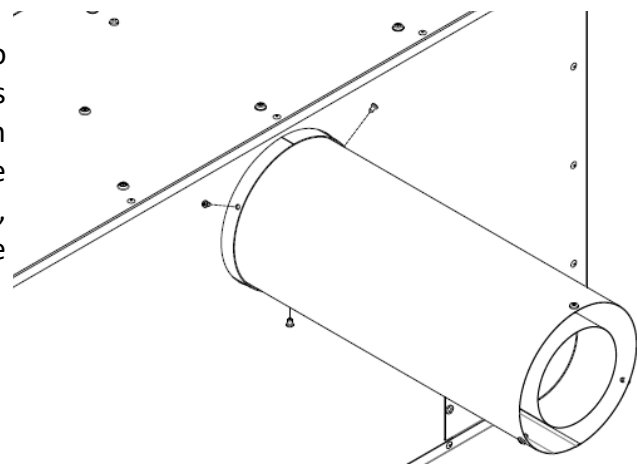
## 4.0 Fixing the Appliance - Screw Fixing

The appliance can be installed using the screw fixings supplied. See the diagrams below.

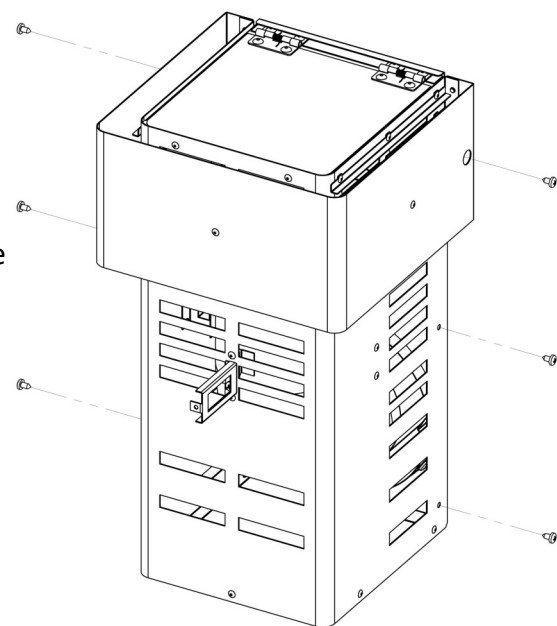


Fitting the Flue System

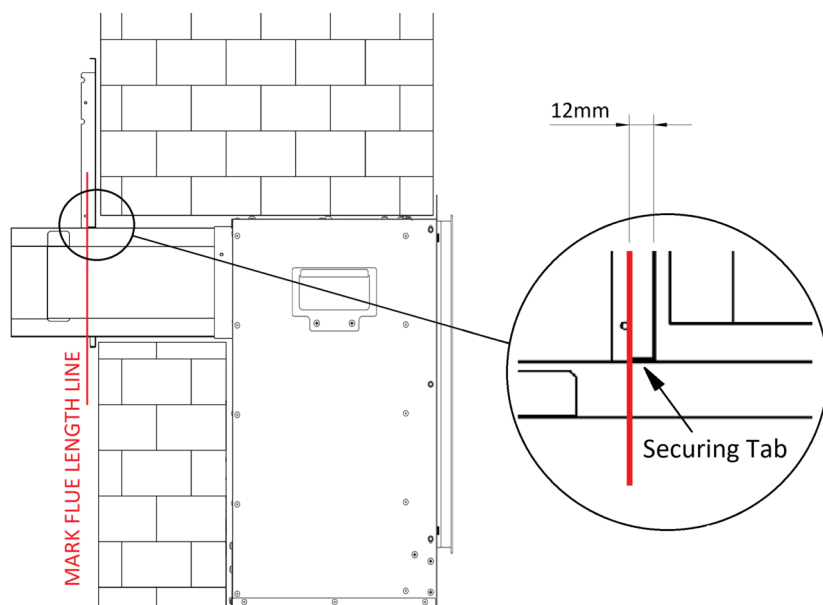
**4.1** With the **UNCUT FLUES FITTED** to the appliance, drill the 3 holes as shown in the OUTER flue and fix with the 3 screws provided. Next place the fire into its installation position, **temporarily**, while the flue lengths are confirmed.



Next, Remove the six screws to release the wall plate from the terminal.



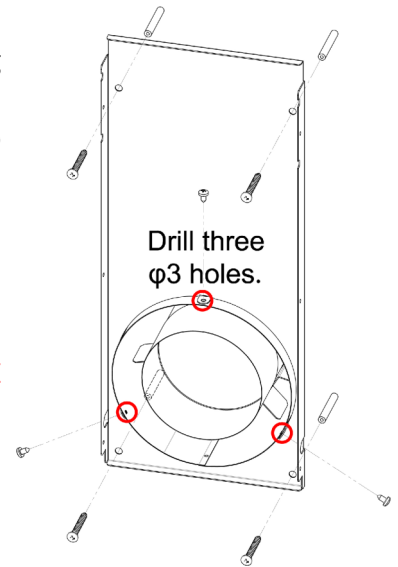
This diagram shows where to mark the outer flue to ensure it is at the correct length for installation.



Now **temporarily** secure the wall plate using the screws and plug supplied.

The flues need to protrude through the wall plate by 12mm to ensure it can be fastened by the 3 lugs on the wall plate.

Mark these 3 hole positions which need to be drilled at 3mm dia. Make a mark on the outer flue at a position 12mm past the wall plate surface.



**NOTE: THIS MARK WILL SHOW HOW MUCH THE FLUE IS TO BE SHORTENED. SEE PAGE 29 FOR MORE DETAIL.**

Next, unscrew the wall plate from the wall.

Remove the two flue sections from the appliance.

Remove the appliance from its installed position.

The OUTER flue can be cut at the line marked in the previous step. SEE DIAGRAM BELOW

**Measure the amount of flue removed from OUTER flue.**

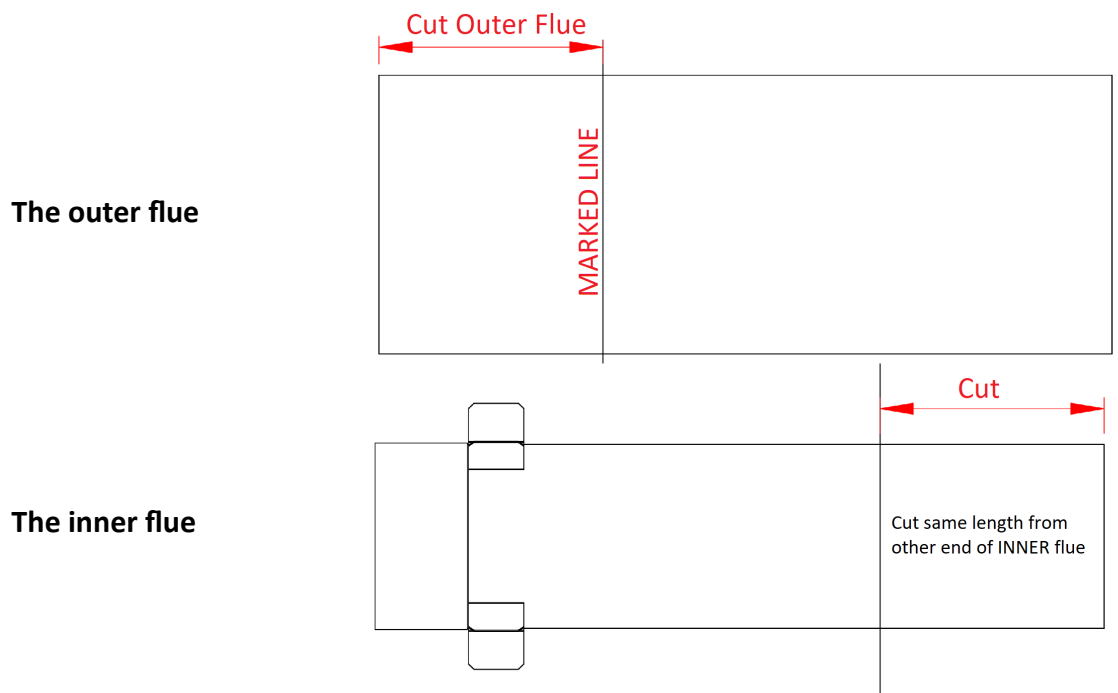
Now cut this same amount from the INNER flue—from the end which is inserted in the fire.

**DO NOT REMOVE FROM THE END WITH THE 3 LOCATING FEATURES.**

**Ensure that the flues are cut correctly. If any flue length is cut incorrectly the installation cannot proceed. Replacement flue pipes will have to be purchased from the manufacturer.**

**Now refit the flues to the appliance—use the 3 screws to secure the OUTER flue to the flange of the appliance.**

**Use the metal tape to seal the OUTER flue to the fire.**



## FITTING THE TERMINAL & TERMINAL GUARD

**ONLY THE TERMINAL AND TERMINAL GUARD SUPPLIED WITH THIS PRODUCT SHOULD BE FITTED. THIS TERMINAL GUARD ALLOWS FOR BLAST FLAP CLEARANCE.**

From the outside carefully insert the inner flue, the flue guides on the inner flue should be towards the outside wall, to keep the two flues concentric before they enter the terminal.

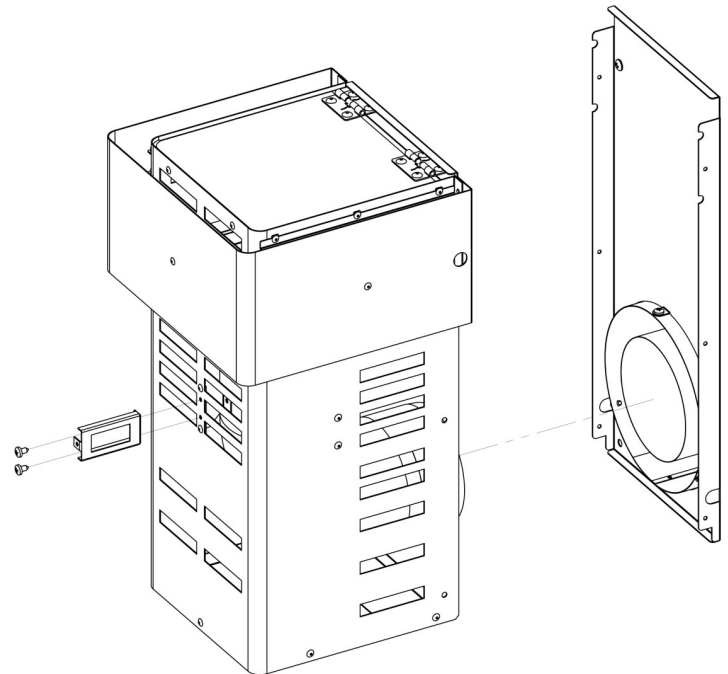
Use mortar to tidy any gaps between the outer flue and the wall prior to re-fitting the wall plate.

The rear face of the wall plate should be sealed with proprietary sealing compound or mortar prior to screwing into position.

Fit the guard locating bracket to the flue terminal.

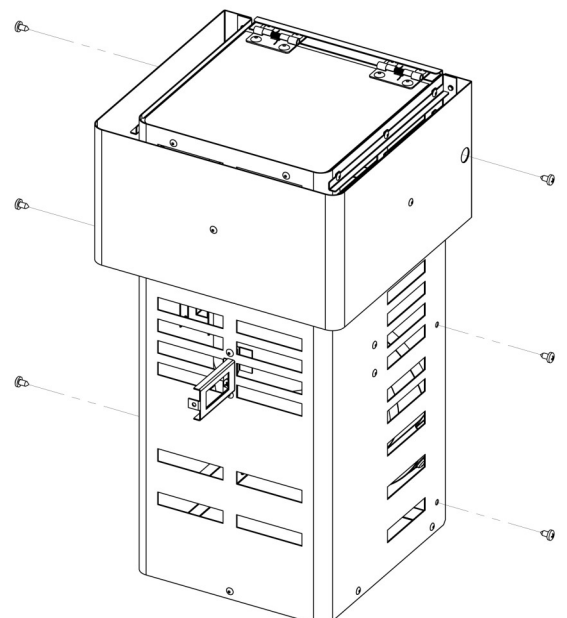
**This component is very important as it ensures clearance above the terminal for blast relief flap to open fully.**

Secure the outer flue with the three lugs on the wall plate using the 3 screws provided.

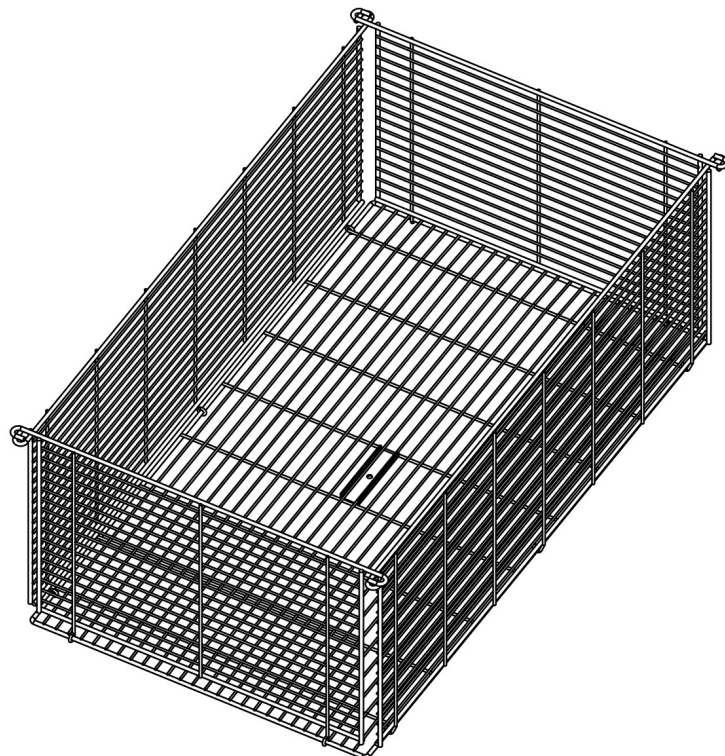
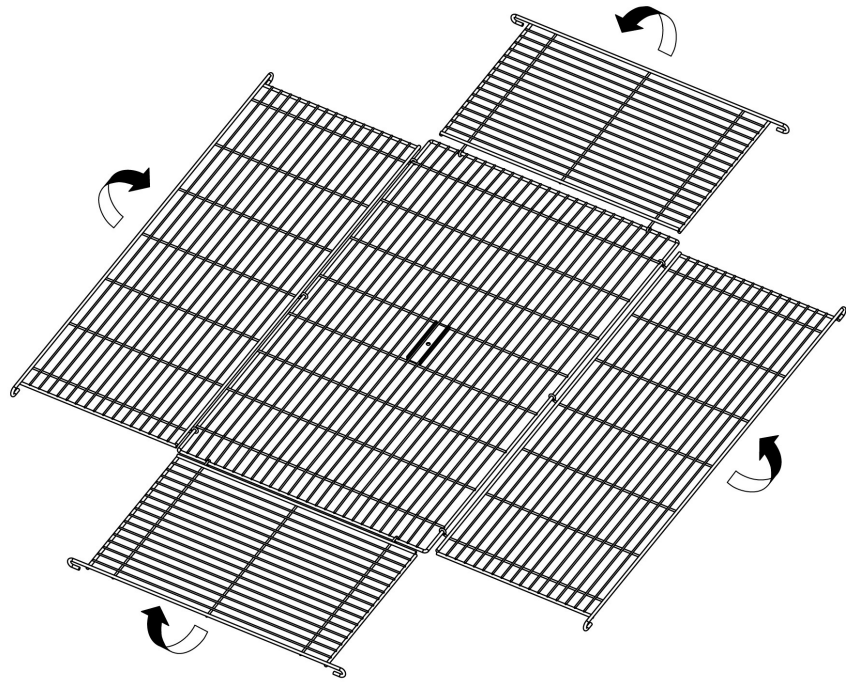


Secure the terminal to the wall plate, ensuring the inner elbow locates firmly into the inner flue.

**It may be necessary to rotate the terminal to help engage the elbow into the inner flue.**

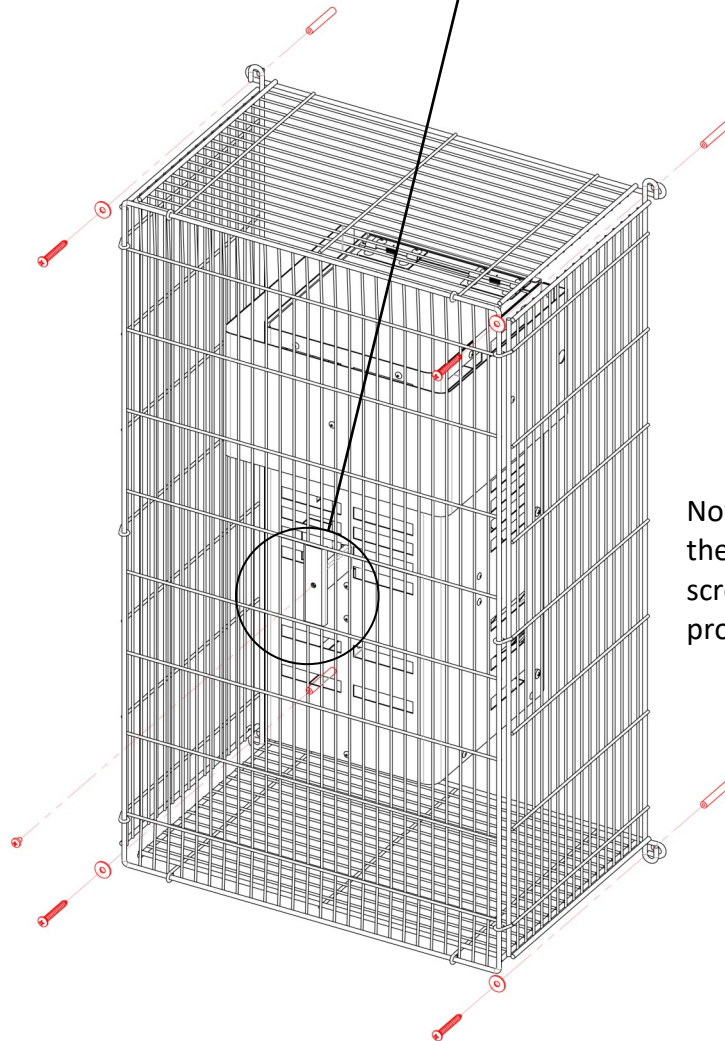
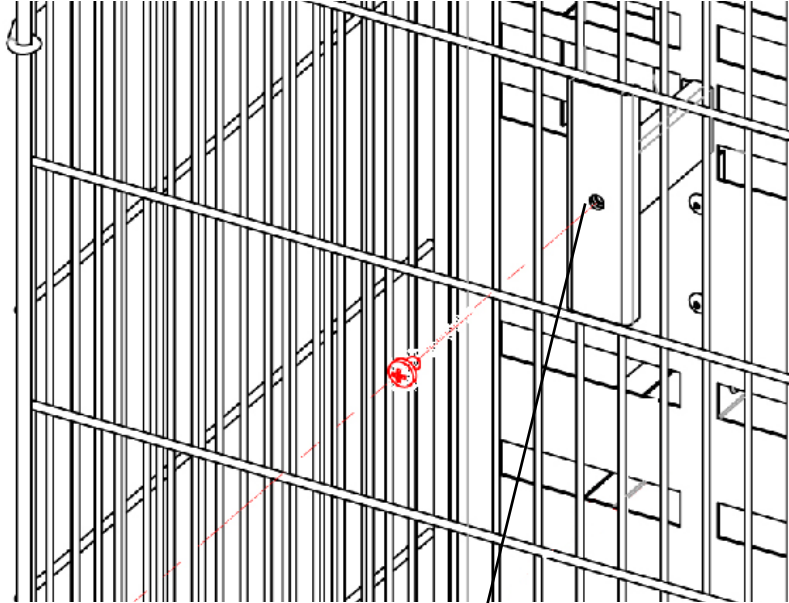


Using the diagram below, fold the terminal guard, aligning the screw fixing holes in each corner to create the correct shape.



Screw the guard to the terminal locating bracket (fitted earlier).

**This must be fitted correctly to ensure that the correct clearance is maintained above the terminal for the blast relief flap to open fully.**



Now fix the guard to the wall using the screws and plugs provided.

Connecting To Gas Supply

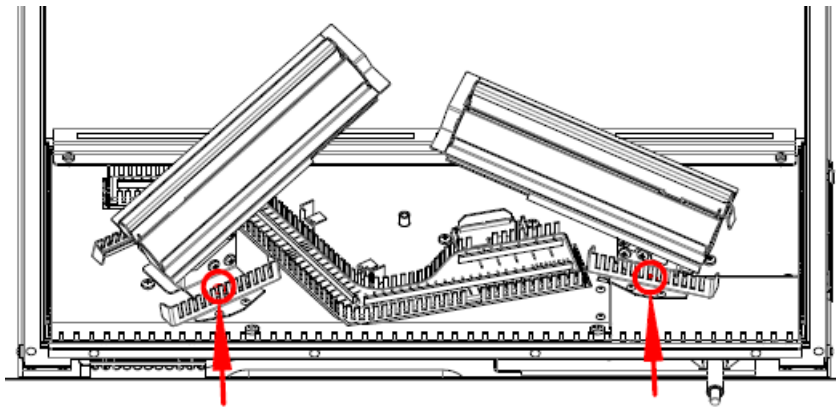
### 4.3 Connecting the Appliance to the Gas Supply

The gas supply should be connected to the appliance by a concealed fitting from the rear. In all installation conditions the gas connection should be provided using 8mm (O/D) copper tubing. **No soldered joints** should be used with the firebox of the appliance. The blind grommet which is supplied in the standard fitting pack **MUST** be used to close up the gas entry hole—simply cut a small cross with a sharp knife in the centre of the grommet—this will then seal around the gas pipe to provide a tight seal.

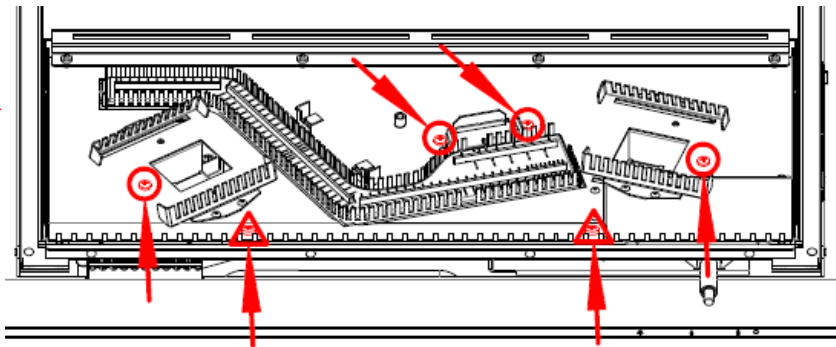
Before connecting the gas supply to the appliance the supply should be purged to ensure no debris can enter the appliance and a gas soundness test should be performed to ensure that the existing pipe work in the property is sound.

The following diagrams show the access to the inlet gas pipe where the isolation valve will be fitted.

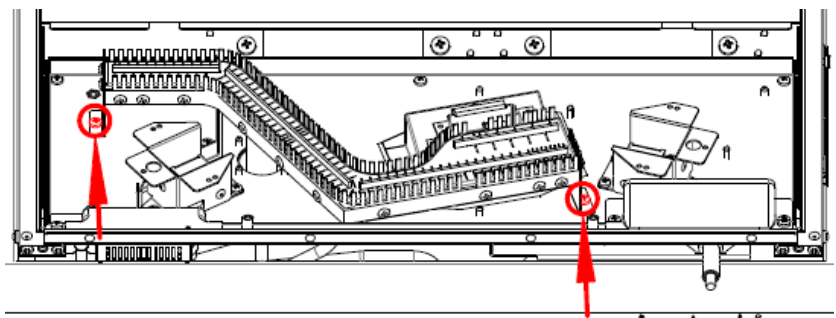
Remove the two screws from the base of each of the two upstanding burners.



Remove the two (2) M5 screws marked  $\triangle$  and the four (4) screws marked  $\circ$  shown to release the base plate.



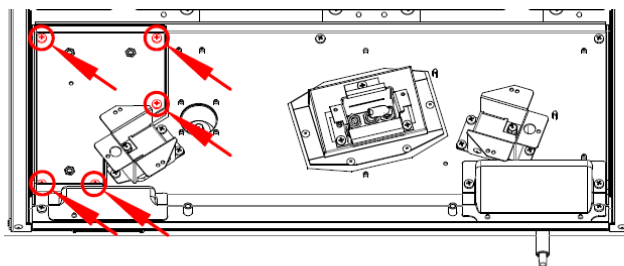
Remove the two (2) black screws as shown below to release the middle burner.



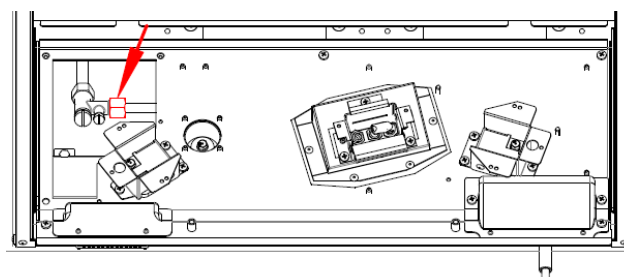


## Connecting the Appliance to the Gas Supply (Continued)

Next, remove the five (5) black screws as shown to release the access cover as shown.



Fit the isolation valve (read note below) to the inlet pipe as shown here.



This restrictor elbow is supplied loose and should be fitted as per the label on the instruction packet.

Test the operating pressure of the appliance by attaching a pressure gauge to the test point of the appliance. This connection should take place when the appliance is OFF. Ensure that gas is turned on at the gas meter.

If the burner tray needs to be completely removed, see full details on pages 42-44.

### 4.4 Appliance Data

Gas Type	Natural Gas (G20)
Inlet Pressure	20mbar ±1mbar
Gas Connection	8mm pipe
Injector	3 x 0.94 / 1 x 0.98 / 1 x 1.03
Pilot Body (No Thermocouple)	P-XX1318A
Thermocouple c/w Microswitch	P-XX13182A
Input High Rate (Gross)	6.4kW (0.61m <sup>3</sup> /hr)
Input Low Rate Slide Control (Gross)	4.2kW (0.40m <sup>3</sup> /hr)
Battery Type (Electronic Igniter)	AAA
Wall Depth (Min)*	369 mm
Wall Depth (Max)*	659 mm
Fire Depth	292mm
NOx Class	Class 5

\* The wall depth is calculated as the distance from the front face of the back panel surface to the outside face of the exterior wall.

## LOG SETUP

**4.5** The following instructions detail how the ceramic fuel bed and loose components are to be installed onto the appliance. Great care should be taken when handling these ceramic parts as they are fragile and can easily be broken. Do not force any component into position, if it does not fit easily then you are not fitting the part correctly. These instructions can also be followed to remove or reinstall the fuel bed after cleaning. This is a procedure that can be undertaken by the customer as required and the frequency will be depend upon use.

**See page 6 for glass door removal and installation.**

The fuel bed setup involves the installation of volcanic rock, ceramic bark, ember wire and a boxed set of ceramic decorative logs. These components will have been installed by your gas engineer at the point of installation, however it is permitted for the end user to remove clean and replace these components as necessary. The following installation instructions must be adhered to at all times.

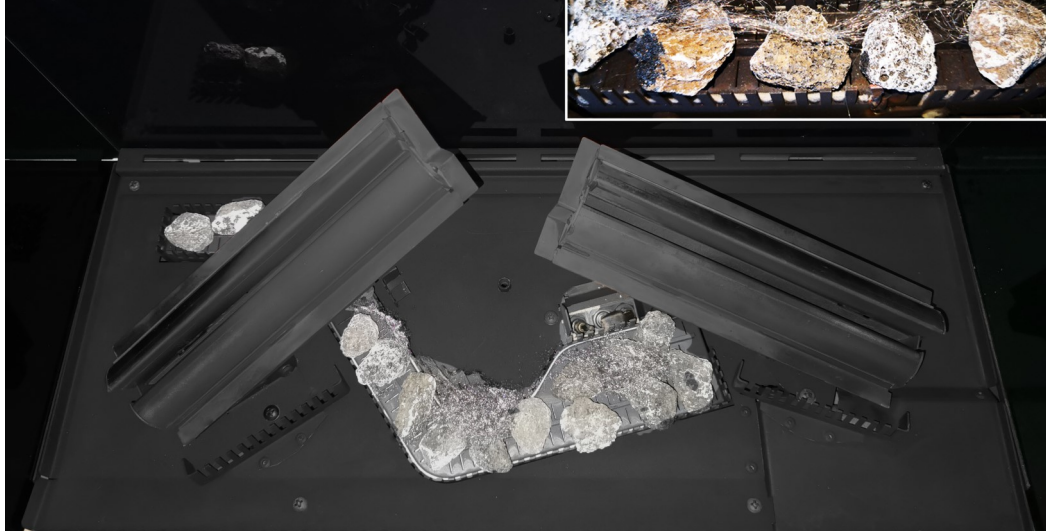
The following diagram is for identification purposes. It is imperative that the logs are placed in the correct position for safety and also to ensure that you obtain optimal performance from your appliance.

## IDENTIFY

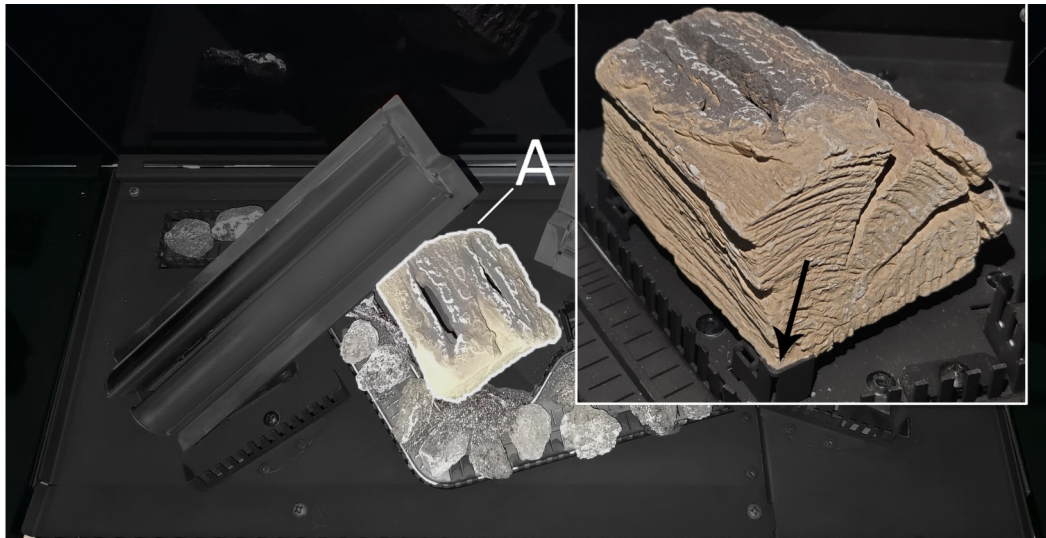


## FUELBED

Place the volcanic rock on top of the centre burner as shown. Ensure a 4-5 mm gap is left between each piece. Then using **half** of the glowing ember wire supplied, ruffle between fingers to make it loose, about 20mm wide and as long enough to cover the volcanic rock then align over the rock as shown. Ensure no wire is placed within 25mm of the pilot assembly. Retain the other half of the wire for replacement at annual service.



Place Log A in the orientation shown ensuring it fits neatly into the locating features as shown below.



Place Log B onto the left raised burner as shown ensuring it fits securely.



Place Log C onto the right raised burner as shown ensuring it fits securely.



Place Log D in the orientation shown below.



Place Log E in the orientation shown below.



Place Log F onto the burner bed in front of the centre burner as shown below.

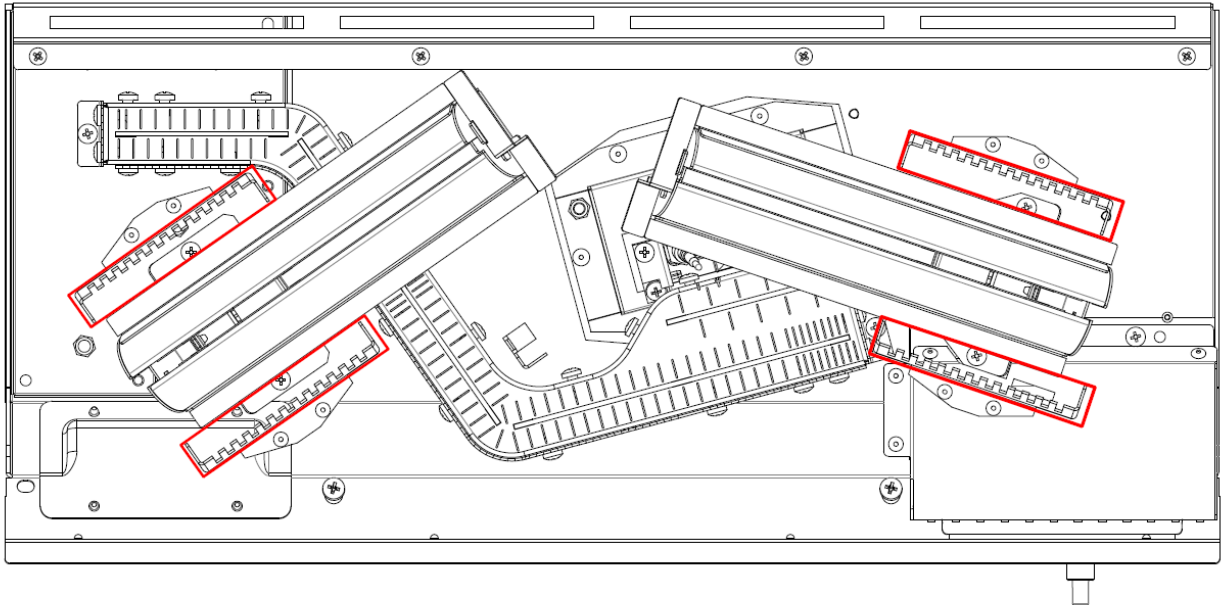


## Bark

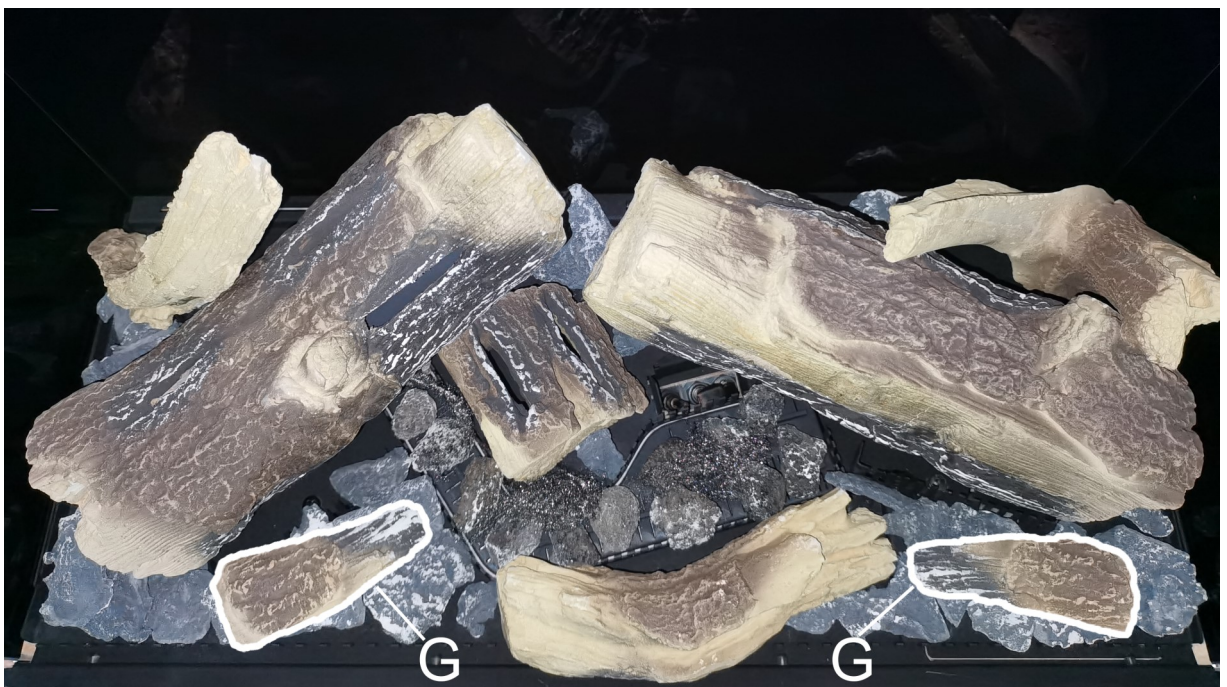
Place the bark around the fuel bed as shown. Ensure that no bark can interfere with the pilot operation.



Ensure that no bark is placed in the red area.



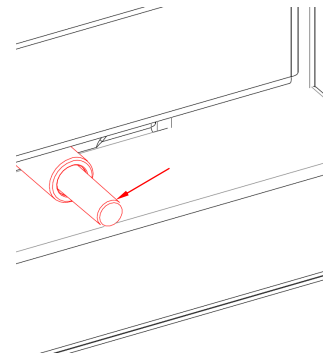
Place Log G as shown in the picture below.



## Controls

**4.6** This appliance has a concealed slide control knob. It is discreetly concealed in the space between the decorative trim and the glass door frame on the lower right hand side. Simply press the knob and it will protrude from its current position to enable operation.

The knob will slide from left to right, this movement controls all functionality of the appliance, from ignition, flame control and turning the appliance off. When the desired operation is complete, simply press the knob inwards and it will return to its stowed position.



## Lighting

**4.6.1** Slide the control knob to the left to the ignition symbol. After a few seconds the pilot light should light.

If the pilot light does not light, release the control knob and wait for 3 minutes before reattempting. If the pilot does not light after 3 attempts, check the battery—see page 6. If the battery is new and the pilot still fails to light, contact a gas safe engineer.

Once the pilot is lit, keep the lever pushed to the left for up to 10 seconds then release. The pilot should stay lit and the central and front log burners will now light. The appliance is now running at the LOW setting.

Slide the knob slowly to the right to turn the rear log burners on. The appliance is now running at the HIGH setting.

To turn the fire off, slide the lever all the way to the right to the OFF symbol.

Should the spark generator fail to provide a spark at the electrode it may be that a small amount of soot has fallen from the fuel bed onto the pilot assembly, causing a short circuit. If this is the case, ensuring the appliance is off and cold, this area can be cleaned with the thin nozzle from a vacuum cleaner. See page 6 for details on glass removal to access this area.

Alternatively check the battery is in good condition—see page 6 for details.



#### 4.7 Completing the Installation of the Appliance

Ensure that the fire operates correctly and that the burners cross light in less than 3 seconds. If cross lighting takes longer than this is or is not consistent, check the location of the two logs **B & C**. Check that the ember-wire is not interfering with the pilot in anyway as this will cause intermittent lighting problems.

#### THE INSTALLER MUST INFORM THE CUSTOMER OF THE FOLLOWING TO COMPLETE THE INSTALLATION

Demonstrate the lighting of the appliance and the controls to control the heat settings. Demonstrate how to extinguish the fire.

Demonstrate the removal of the trim and fret and how to reinstall correctly.

Discuss the removal and reinstallation of the glass and the ceramics. Explain how they should be cleaned and make the customer aware of the health and safety warning detailed later in these instructions.

Explain to the customer that the ceramics are fragile and must be treated with great care, explain that the ceramics are not covered by the warranty because of their fragility. Also explain that small hairline cracks will appear in the surface of the ceramics due to heat expansion and contraction—this is perfectly normal.

**During the first several hours of use an odour will be experienced—this is normal and is the starch used in the manufacturing of the ceramic fuel bed. This odour is non toxic and will eventually disappear with use.**

Advise that no rubbish should be thrown onto the appliance and that the appliance should be cleaned regularly.

A vacuum cleaner can be used but it is important that the appliance is turned off and allowed to cool before undertaking this procedure. See the separate section regarding cleaning the ceramics.

Advise the customer that the appliance should be serviced annually by a gas safe engineer to ensure the safety and integrity of the appliance.

Advise the customer that the appliance has a hot glass surface and therefore it is essential that a suitable fireguard be used for the protection of the elderly, infirm and young children. This fireguard should conform to BS8423 : 2002 (Fireguards or use with Gas Heating Appliances).

These instructions **must** be handed over to the customer once installation is complete.



## 4.8 HEALTH AND SAFETY NOTICE

This appliance uses fuel effect pieces manufactured from Refractory Ceramic Fibres (RCF). Care must be taken to avoid excessive exposure to these materials as they may cause irritation to the eyes, skin, nose and throat. When Handling avoid inhaling and contact with skin and eyes. It is recommended that disposable gloves are worn in addition to a facemask and eye protection. After handling wash hands thoroughly and any other exposed parts which may have come in to contact with the material.

If a vacuum cleaner is used to clean the fuel bed or areas around the appliance there fragments of the material may have fallen it is recommended that it be of the type fitted with a HEPA filter.

Care should be taken when disposing of RCF materials. It is important to keep any dust to a minimum so it is recommended that the fuel effect components are placed into a heavy duty plastic bag. The bag should be clearly labelled **RCF WASTE**. These materials are not classified as hazardous waste and should be disposed of at a site approved for the disposal of industrial waste.

## 4.9 Cleaning the Appliance

Ensure the fire is turned off and has been allowed to cool for a period of at least one hour.

### Metal Parts

Metal parts can be cleaned with a slightly damp cloth, once wiped, any moisture should be removed with a soft clean cloth. Do not use any abrasive cloths or cleaning solutions, these may scratch the surface.

### Trim

There are a variety of trim and fret options which may have been supplied with your appliance and these are normally a plated material on a steel substrate. It is important that no abrasive cleaners or chemical agents are used in the cleaning of these components. It is recommended that all these surfaces are cleaned with a clean damp (not wet) cloth.

### Fuel Bed

The fuel effect components supplied with this product are extremely fragile and must be handled with great care. The ceramics in this appliance are not covered by the warranty due to their fragility. This includes the RCF fibre boards in the fire box. These components will break or chip if not handled with the greatest of care.

Cleaning of these components should only be undertaken once the appliance is switched off and has been allowed to cool for a minimum period of one hour. The glass door should be removed (see page 6 for full details). The ceramic components should be lifted carefully piece by piece from the appliance and placed onto a dust sheet or similar. They can be brushed gently with a soft brush to remove any dust or deposits. If you intend to use a vacuum cleaner then this should only be done once the loose deposits of soot etc have been removed. Ensure that the moulded components are structurally sound and no significant part of the moulding has broken away. If any component has broken then it should be replaced before using the appliance. Only the correct replacement part as supplied by the manufacturer shall be used in this appliance. Do not add any additional components to the fuel bed layout. It is important to note that small hairline cracks will appear in the surface of the ceramics due to heat expansion and contraction—this is perfectly normal.

**Ensure that the ceramics are replaced correctly, as per the instructions in this manual.**

## 5.0 Servicing the Appliance.

The following procedures can and should **only** be performed by a **Gas Safe registered installer**.

This appliance should be serviced annually by a **Gas Safe registered installer**.

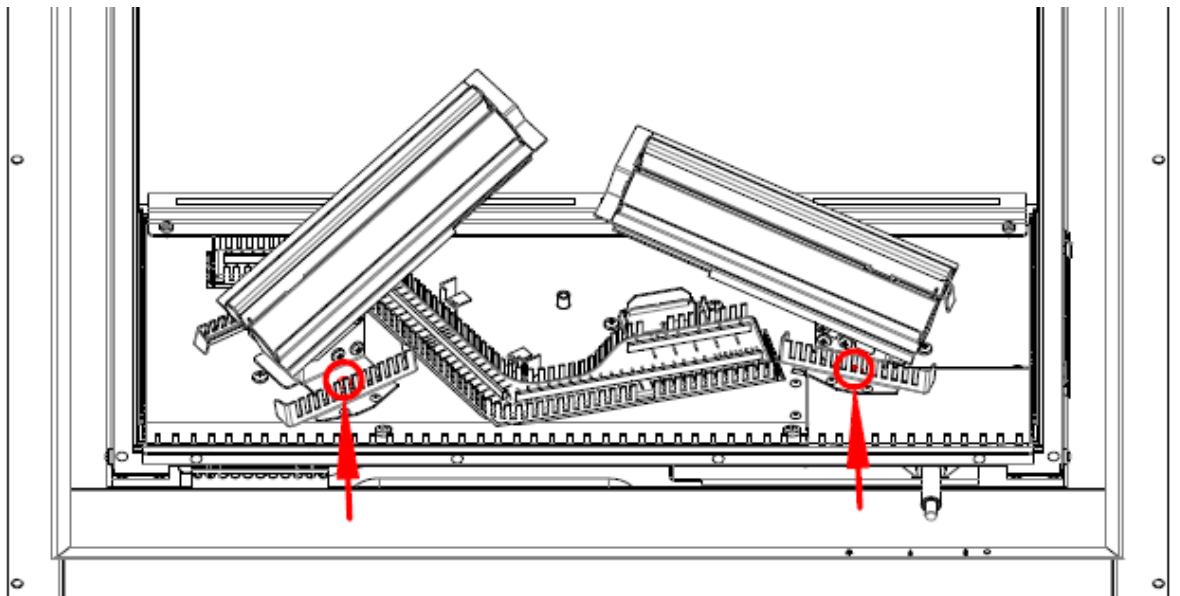
Isolate the appliance using the restrictor elbow and remove the 8mm nut from the restrictor as detailed below.



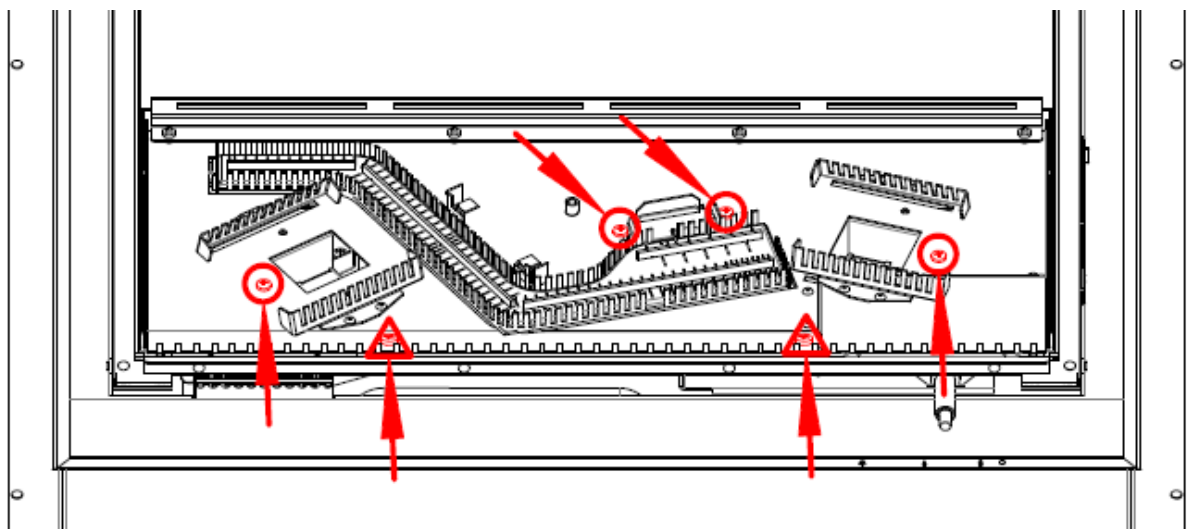
**ALL SERVICE WORK WILL REQUIRE THE REMOVAL OF THE GLASS PANEL, CERAMICS AND THE BURNER TRAY\***

### 5.1 Removal of the Burner Tray

Remove the two black screws from the base of each of the two upstanding burners.

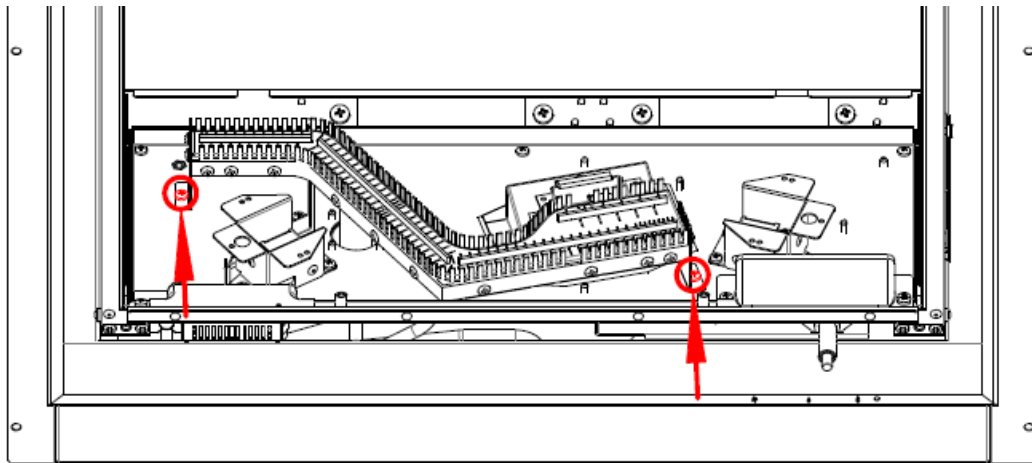


Remove the two (2) M5 screws marked  $\Delta$  and the four (4) black screws marked  $\bigcirc$  shown below to release the base plate.

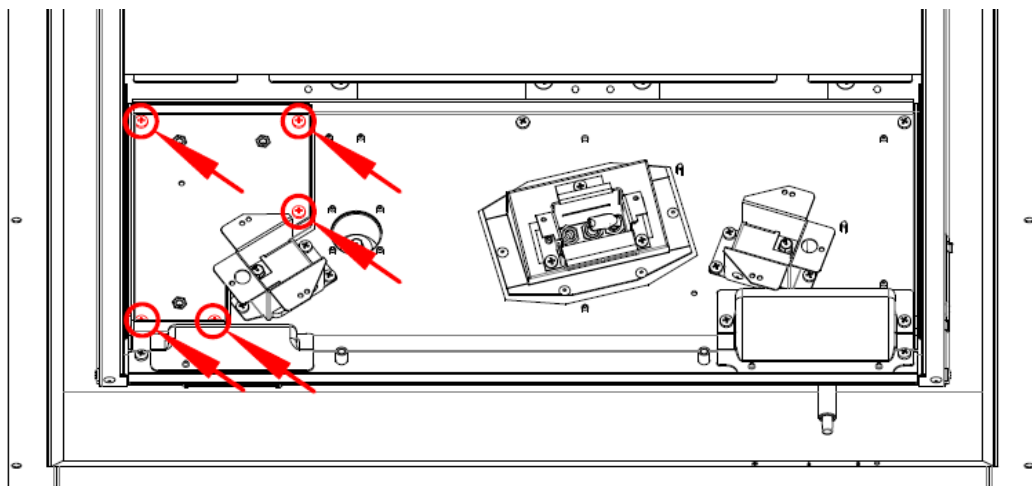


## Removal of the Burner Tray (Continued)

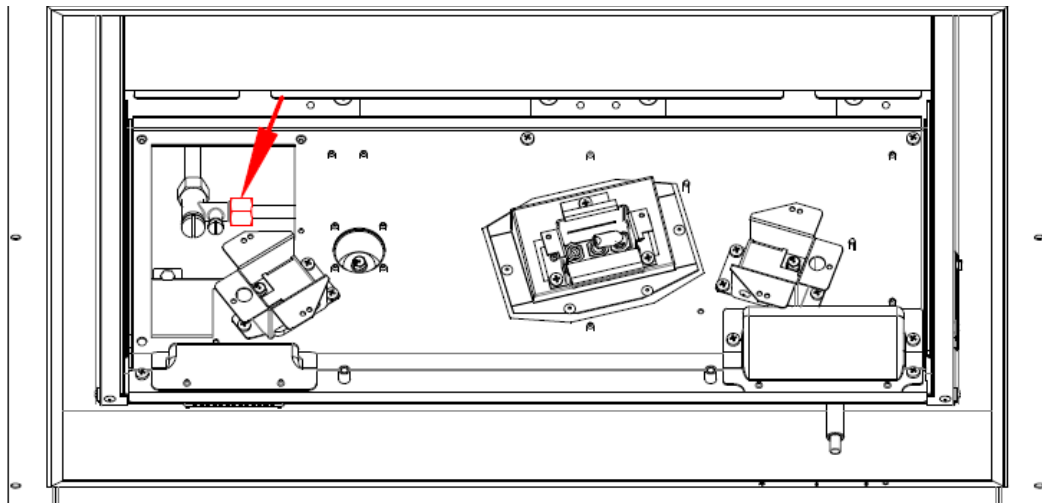
Remove the two (2) black screws as shown below to release the middle burner.



Next, remove the five (5) black longer screws as shown to release the access cover as shown below.

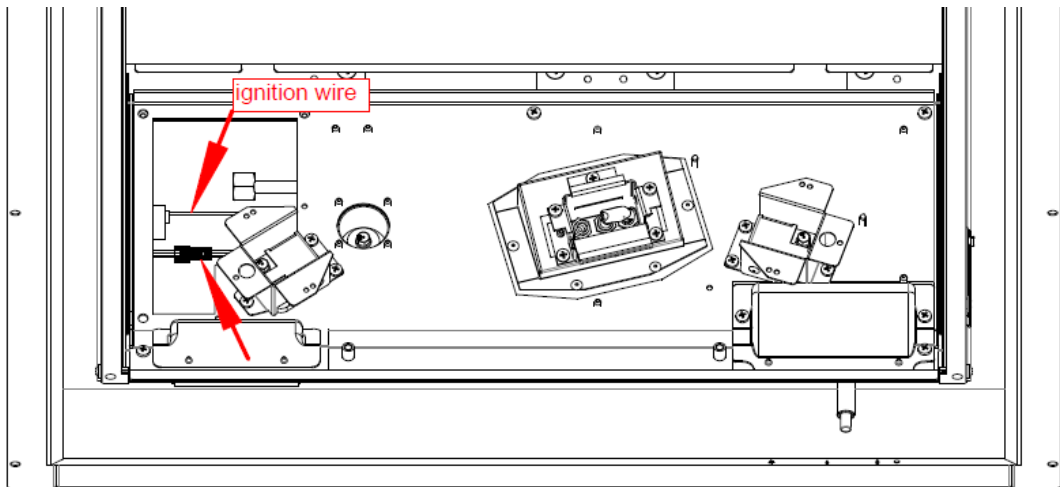


Ensuring the gas is isolated, release the nut on the gas inlet pipe as shown below.

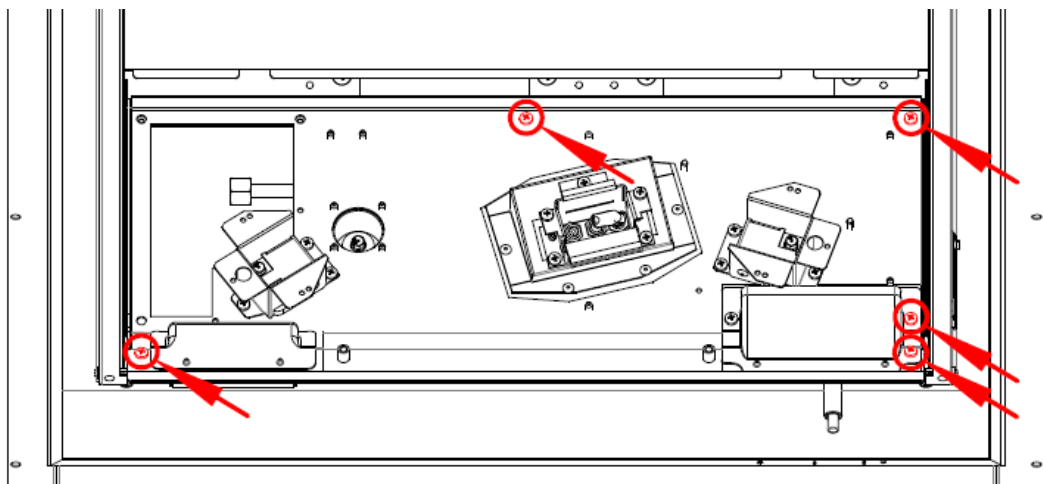


## Removal of the Burner Tray (Continued)

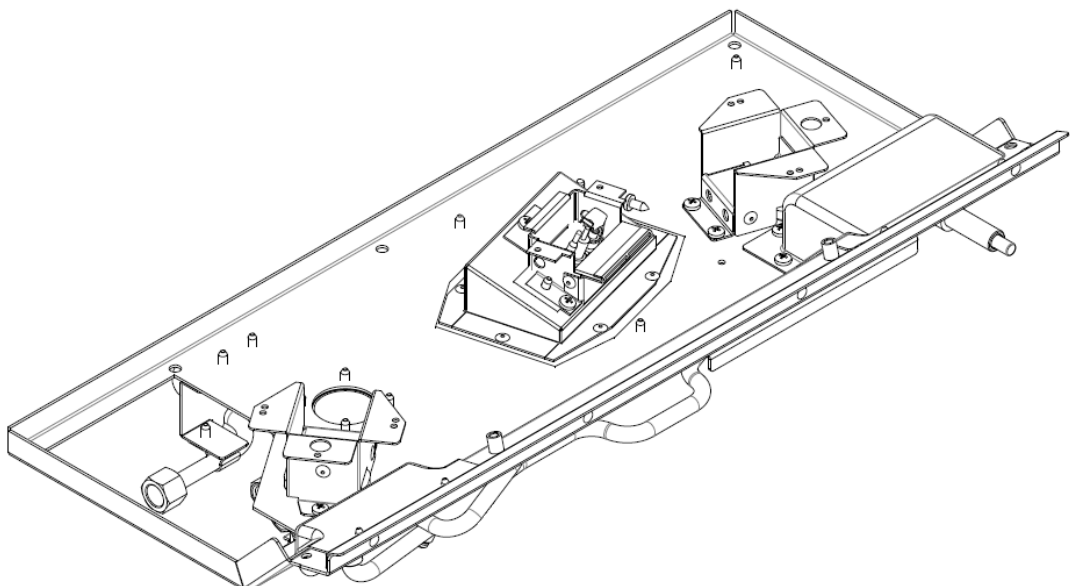
Disconnect the ignition H.T. lead and unplug the black plastic connector.



Finally remove the five (5) silver screws to release the burner tray from the appliance.

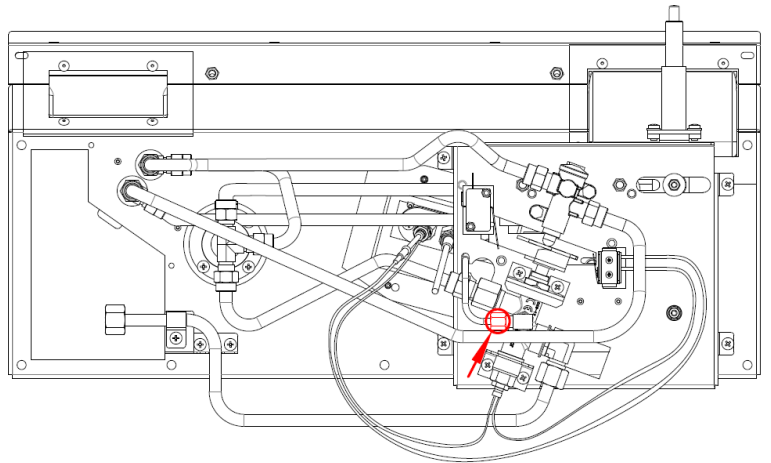


The burner tray can now be carefully lifted out of the appliance.

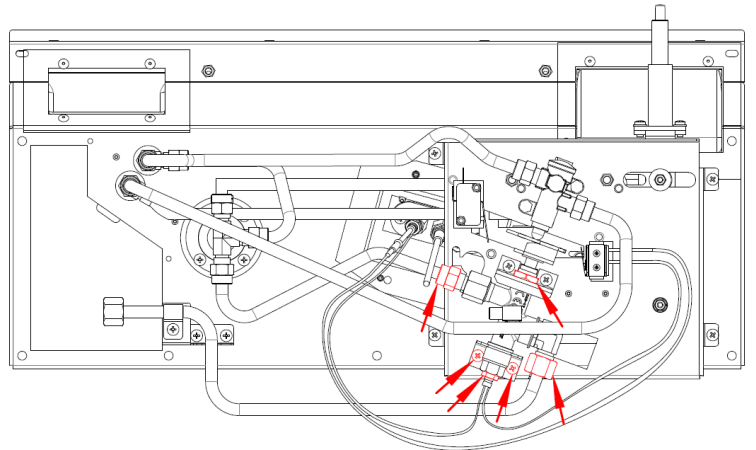


## 5.2 Removal of the Slide Valve

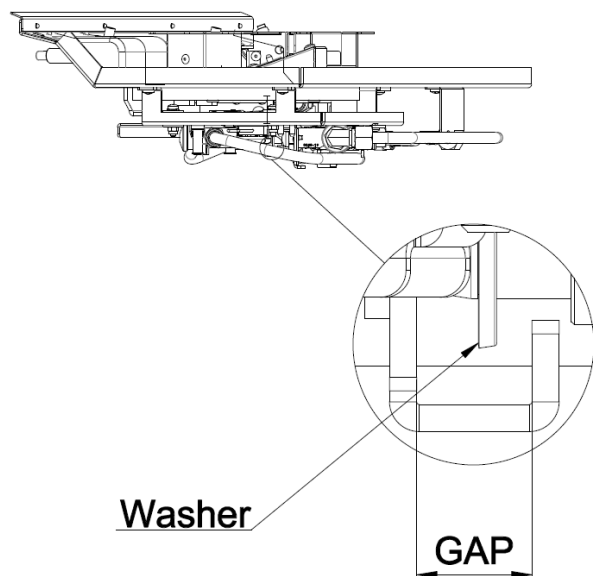
Remove the pipe nut as shown to allow the pilot gas supply tube to be removed from the slide valve.



Next, remove the two screws at the rear of the valve as shown then remove the thermocouple nut, the gas inlet nut, the main burner outlet nut and the front retaining nut. The slide valve can now be removed from the burner tray. Replace in reverse order.



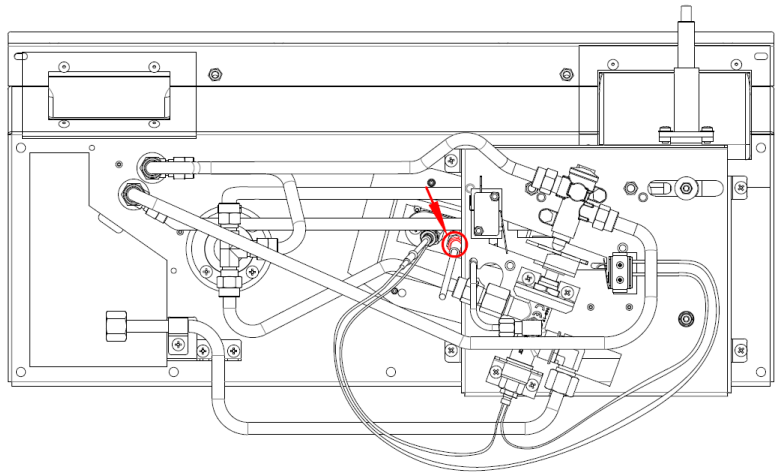
When reassembling the slide valve, ensure that the washer sits **inside** the gap as shown in this diagram.



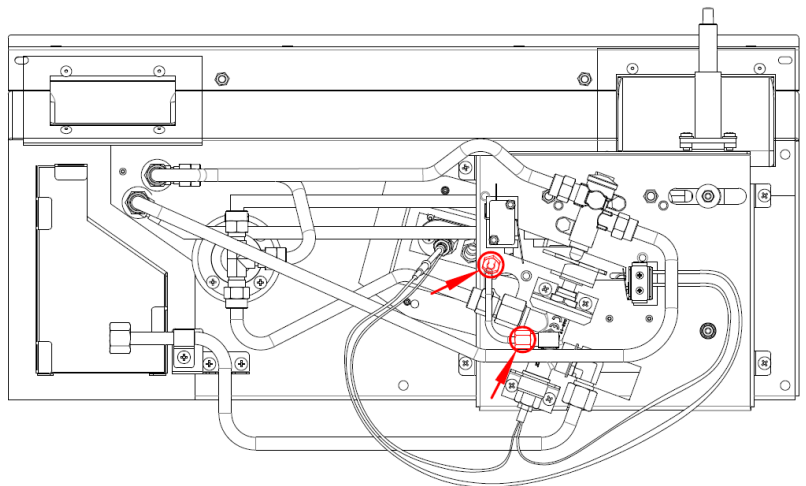
## 5.3 Removal of the Pilot Assembly

Follow the instructions below to remove the pilot assembly. On reassembly take great care to ensure the pilot injector is clear of debris and is refitted correctly.

Remove the electrode securing nut as shown in the diagram.



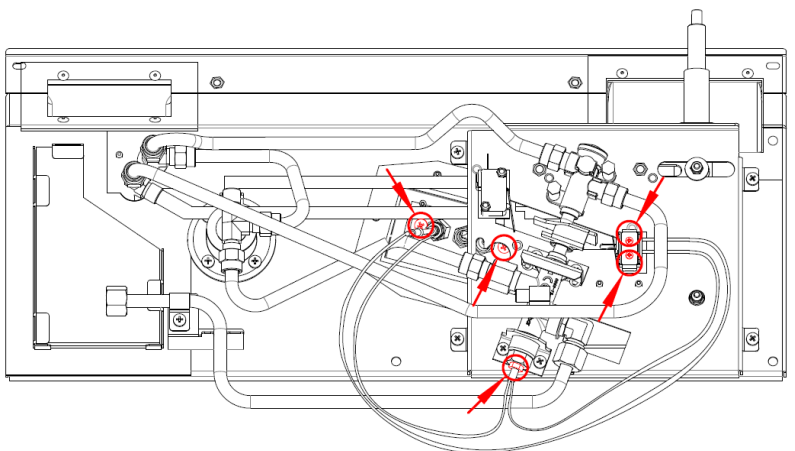
Remove the two pipe nuts as shown to allow the pilot gas supply tube to be removed.



Then remove the thermocouple connection from the rear of the slide valve.

Next, remove the two screws securing the interrupter microswitch as shown.

Finally remove the two screws holding the pilot burner into place. The pilot can now be removed and replaced.



## 5.4 Removal of the Igniter (Spark Generator)

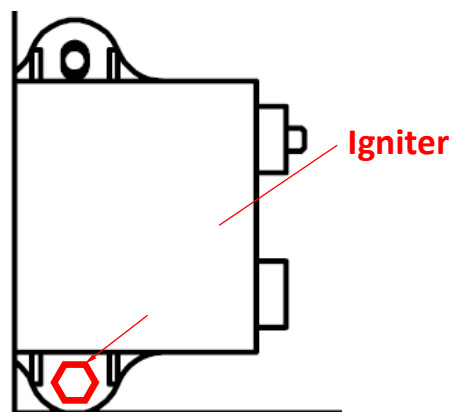
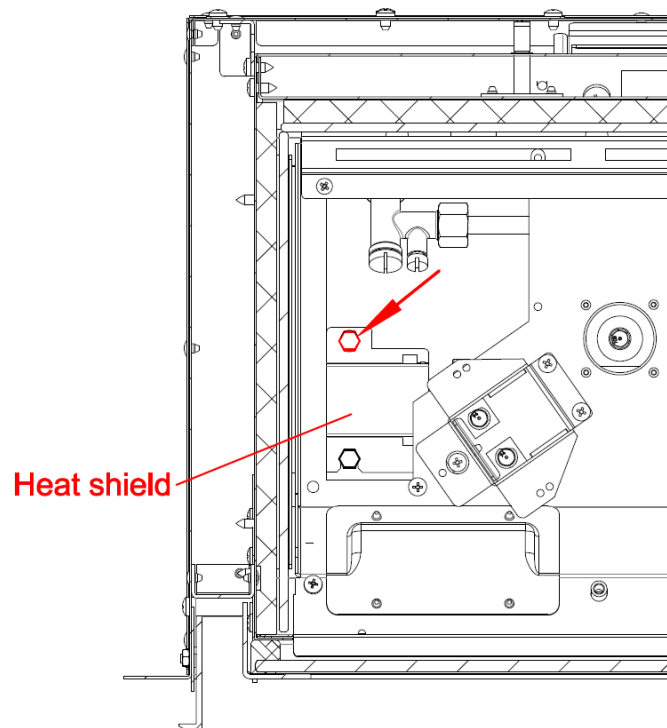
The gas access covers must first be removed—see page 42.

Remove the HT lead and remove the black & white switch connector.

Next remove the inner hexagonal screw to remove the heat shield. Then remove the outer hexagonal screw as shown in the diagram below .

The igniter can now be removed / replaced. **WHEN REPLACING THE IGNITER, ENSURE THE EARTH WIRE OF THE IGNITER IS REPLACED.**

Reassemble in reverse order.



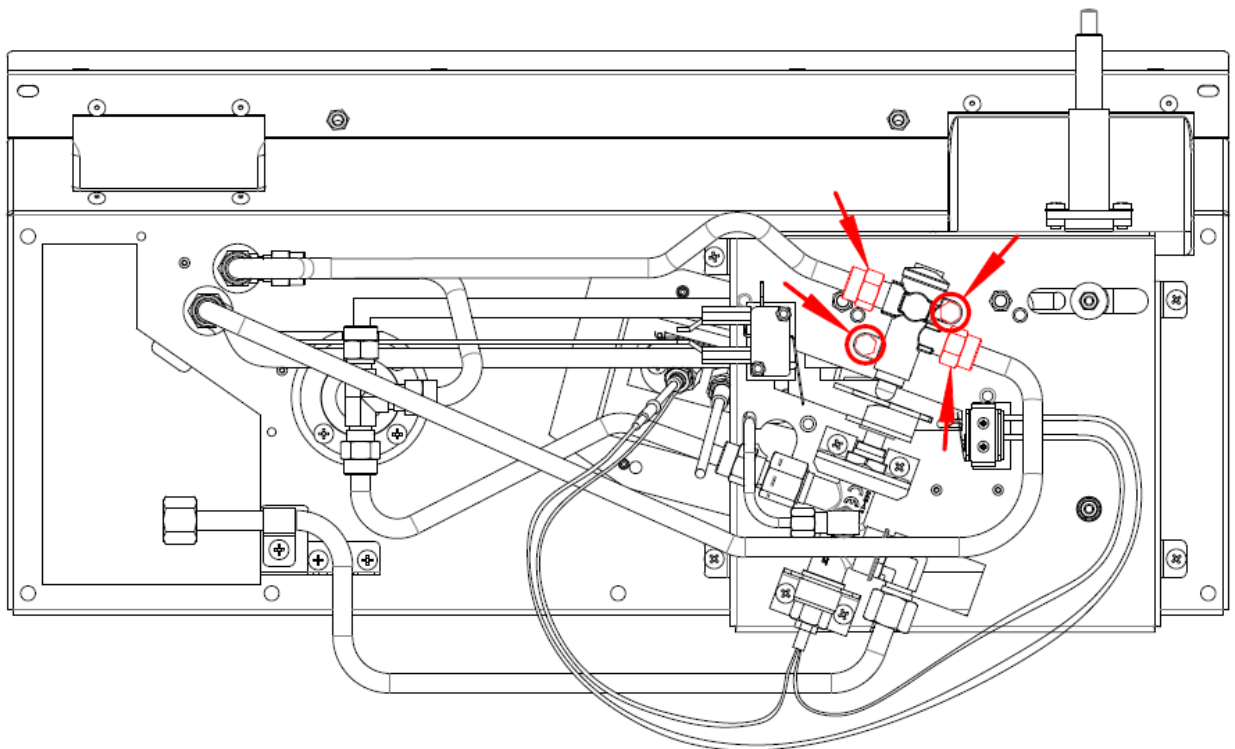
## 5.5 Removal of the Tee Valve

First remove the inlet and outlet nuts from the Tee Valve as shown in the diagram below.

Then remove the two nuts securing the Tee Valve to the underside of the burner tray.

The Tee Valve can be removed and replaced.

Reassemble in reverse order.

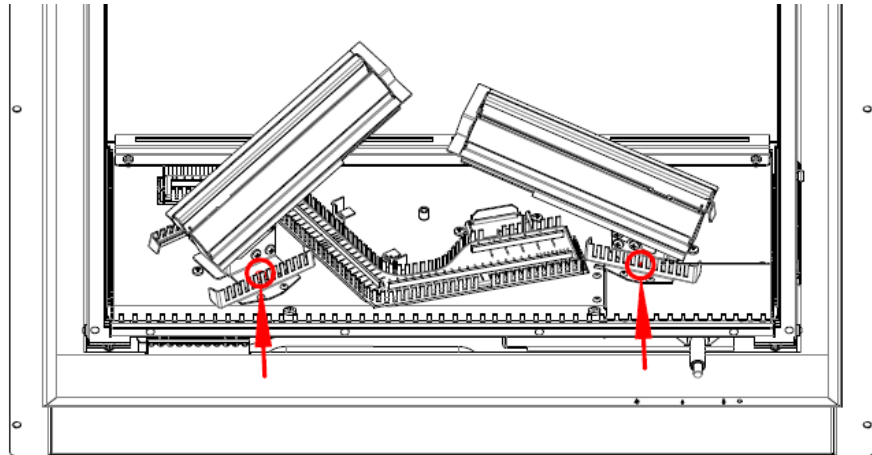




## 5.6 Removal of the injectors

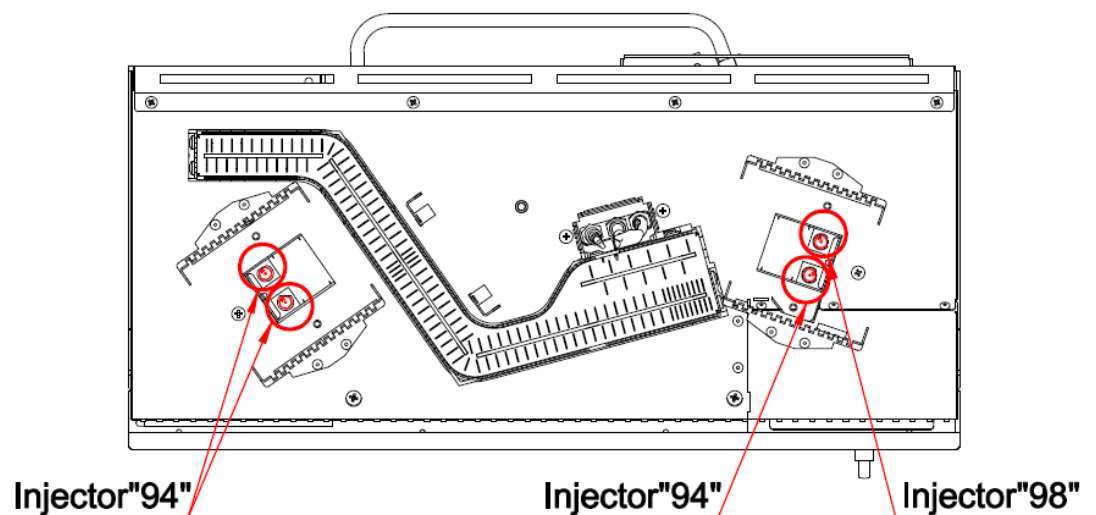
To reveal the injectors, the burners must first be removed.

Remove the four screws at the base of the upstanding burners. The two burners can now be lifted out of the appliance. Take note of the marking on each burner signifying LEFT & RIGHT.



The first four injectors will now be visible and can be removed and replaced using a 7mm box spanner.

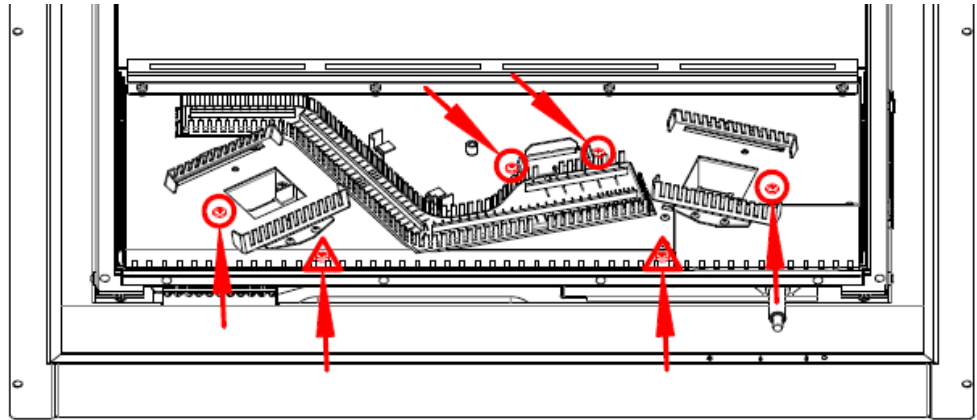
It is imperative to ensure that the injectors are not mixed up as they are of differing sizes. See diagram below.



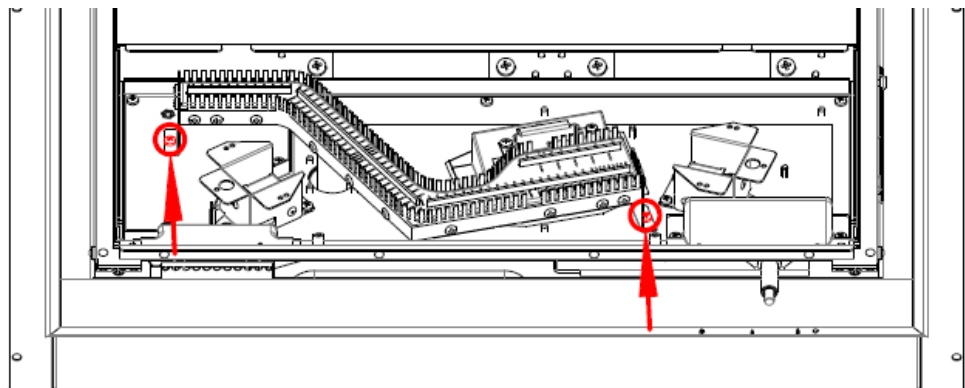
## Removal of the injectors (continued)

To reveal the final injector, the base plate and central burner must be removed.

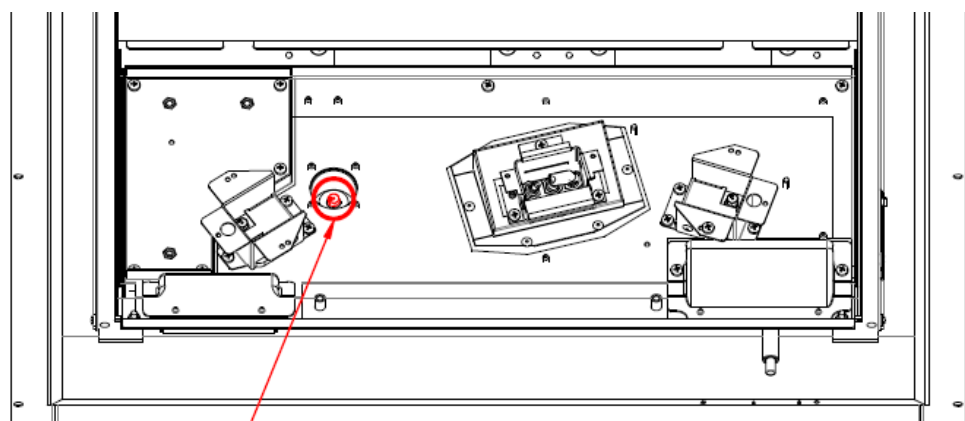
Remove the two (2) M5 screws marked **△** and the four (4) screws marked **○**. The base plate can now be removed.



Next, remove the two screws shown in the diagram and the central burner can now be lifted from the appliance.



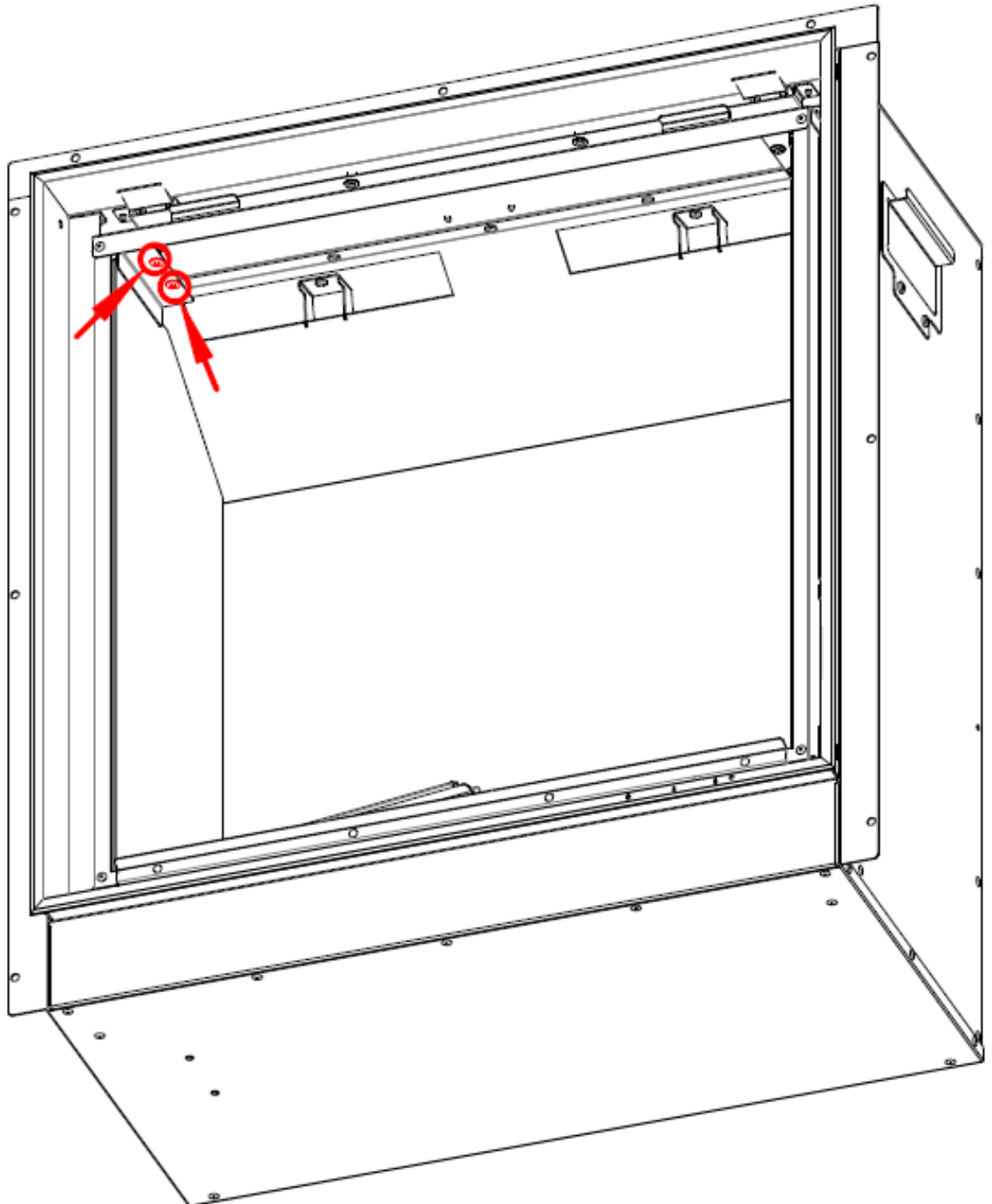
The central burner injector can now be removed using a 7mm box spanner.



**Injector"103"**

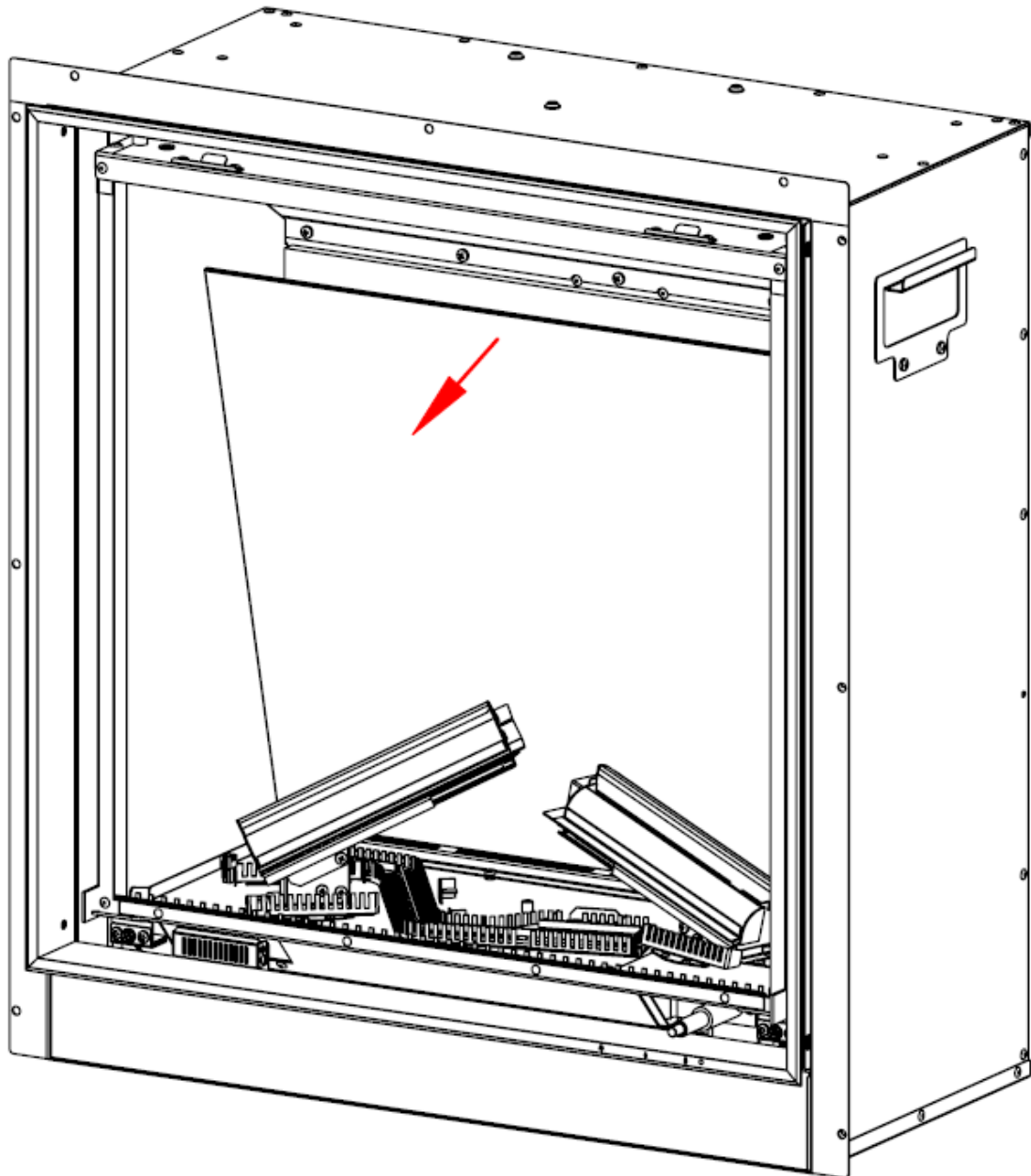
## 5.7 Removal/Replacement of the Two Side Inner Glass Panels

First remove the two clips from the top right and top left as shown in the diagram below. These two side panels can now be removed from the appliance.



## 5.7.1 Removal/Replacement of the Rear Inner Glass Panel

Once the side glass panels have been removed, the rear glass panel can be tilted forward from the top and lifted out of the appliance.



**6.0 Record of annual services**

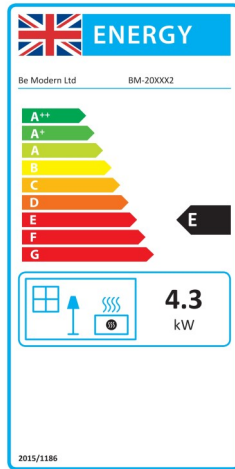
The extended warranty of the specified components within this appliance is conditional on the annual service of the appliance by a Gas Safe registered engineer. Failure to maintain the product or to use the product in away which is not intended will void the manufacturer's warranty.

Ensure a record is kept of the annual services conducted by the Gas Safe engineer in the table below.

Service of this appliance must only be conducted by a Gas Safe registered engineer.



Annual Service Record		
	Gas Safe Engineer Name:	
<b>YEAR 1</b>	Gas Safe Engineer Registration No.:	
	Date of annual service:	
	Gas Safe Engineer Name:	
<b>YEAR 2</b>	Gas Safe Engineer Registration No.:	
	Date of annual service:	
	Gas Safe Engineer Name:	
<b>YEAR 3</b>	Gas Safe Engineer Registration No.:	
	Date of annual service:	
	Gas Safe Engineer Name:	
<b>YEAR 4</b>	Gas Safe Engineer Registration No.:	
	Date of annual service:	



7.0 Product Fiche	
Manufacturer :	Be Modern Ltd
Model No.	BM-20XXX2
Fuel Type	Natural Gas (G20) I2H
Energy Efficiency Class	E
Indirect Heating Functionality	No
Direct Heat Output kW	4.3kW
Indirect Heat Output kW	N/A
EEl	66.1%
Useful Energy Efficiency (NCV)	High : 75.1%
Useful Energy Efficiency (NCV)	N/A
Nominal Heat Output	High : 4.3kW
Nominal Heat Output	Low : 2.8kW
Heat Output Temperature Control	Two Manual Stages
Permanent Pilot Power (kW)	N/A
Space Heating Emissions NOx (GCV)	130mg/kWh

### Important Note:

The energy efficiency class of this product is defined using a seasonal efficiency calculation which reduces the actual net efficiency of the product where the use of automated heat control, thermostats, window open sensors and timers are not used. This is not to be confused with the net efficiency, or useful efficiency of the appliance (shown in the tables above).

**This product MUST be installed by a Gas Safe Registered Installer. Full details are provided in this manual.**

This page is intentionally left blank

## 8.0 User Replaceable Parts

Part Number	Description
P-XX1241	Ceramic log set complete
P-XX1241A—G	Ceramic Log A thru G
P-XX1212A	Volcanic rock (2 Packs)
P-XX1213	Ceramic Bark (2 Packs)
P-XX1214	Ember Wire Pack
P-XX140020A	Glass Door Assembly

**bemodern**  
FIRES | FIREPLACES

**Be Modern Ltd**  
**Bede Industrial Estate,**  
**Jarrow, Tyne & Wear, NE32 3BE**

[www.bemodern.com](http://www.bemodern.com)

**Tel: 0191 489 8006 Fax: 0191 580 0085**

**Email: [sales@bemodern.com](mailto:sales@bemodern.com)**

**UK  
CA**

Due to our policy of continual product improvement, some diagrams and small details may not be accurate however if there is any concern or matter of understanding that you feel needs to be clarified please contact us directly. Our contact details are shown below.