

bemodern®

FIREPLACES & STOVES | BATHROOM FURNITURE

DIAMOND

Luxury Fireplaces

Floor Standing Marble Suites Instructions For Assembly & Installation

(Surround, Back Panel & IQFX Fire Supplied Separately)

Models Covered:

4250

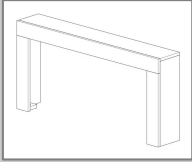
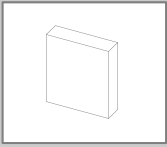
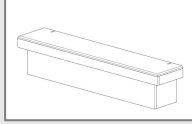
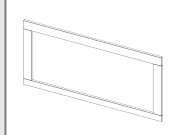
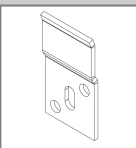
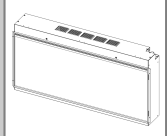
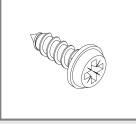
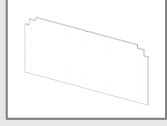
Marble Floor Standing Suites

Including

IQFX 750L /1000L

	Page
Parts & Fittings Supplied	2
Important Information	3
Power Supply and Optional Mood Lighting Introduction	4
Surround Hearth Installation	4
Hearth & Plinth Installation	5-6
Mount Board Installation	6
Main Body Wall Bracket Installation	6-7
Preparing the Fire for Installation	8
Installing the Fire- IQFX 750L- 1000L	9
Optional Mood Lighting Installation	10
Installing the Back Panel Trim	11
Surround Main Body Installation	12
Maintenance/ Important Note	13

Parts & Fittings Supplied.

REF	PARTS	DIAGRAM	QTY	REF	PARTS	DIAGRAM	QTY
A	Surround Main Body (No back Panel Fitted)		1	E	Adhesive Pad Supplied with surround.		4
B	Surround Hearth & Plinth		1	F	Back Panel Trim Supplied Separately. Note: Fire Support Stands are not required for this installation.		1
C	Wall Bracket Supplied with surround. Only 4 required for this installation.		5	G	Fire Supplied Separately.		1
D	3.5mmx12mm Dome head POZI Screws Supplied with surround.		6	H	Mount Board Supplied with surround.		1

Where appropriate please recycle packaging responsibly.

Important Information - These instructions are for your safety. Please read them thoroughly before use and retain for future reference. Failure to follow them may result in serious or fatal injury and/or property damage.

Before you begin the installation, please ensure that a full and detailed inspection of all component parts is undertaken jointly by the installer and purchaser to ensure there is no damage or manufacturing defects with the product. Once the fireplace has been installed, no claims or responsibility will be accepted by the manufacturer relating to chips, scratches or any other obvious defects.

Please also ensure you carefully read and fully understand these instructions before commencing installation as we cannot accept responsibility for any damage or defects caused by non-compliance with these instructions.

These instructions are written in accordance with the 'Stone Federation Great Britain' guidance on fire surround standard building practice, Building Regulations (Approved Document J) and all relevant British Standards.

This fireplace should be installed only by competent professional fireplace installers and fitted only to suitable surfaces. You should check with your installer that the constructional elements of the intended chimney breast and flue comply with current Building Regulations, and that they are suitable for the appliance that is to be installed. Failure to do so may result in serious or fatal injury and/or property damage.

NOTE: Installation is not recommended as a DIY or single person task. In addition to this giving rise to the potentially increased risk of product damage and/or incorrect installation, it should also be noted that some marble components can be very heavy and will require two people to lift/handle. Caution should always be exercised if attempting to lift heavy or awkward objects. Always ensure the wall and floor have sufficient load bearing capabilities to allow the surround to be installed safely and securely. The foundation must be sufficient to support the entire weight of the surround.

Following the installation, please leave these instructions with the householder.

Micro Marble Fireplaces

Marble is a natural product formed over millions of years by the Earth's natural evolution process. Consequently no two pieces of marble are exactly the same, and individual fireplaces may be slightly different in veining, marking and shade which gives a unique quality to each and every marble product. Veins, vents and minor pitting are to be expected within marble. These are generally accepted as industry standard and do not detract from the quality of the finished product.

Micro Marble is produced from small pieces of real marble finely crushed and bonded to produce a quality product for your home. Be Modern selects only the highest quality marble to manufacture your fireplace within our UK manufacturing facilities

Before you start

DO NOT dispose of the packaging until you have checked and made sure you have all the parts and fittings listed above. If not, contact: **BE MODERN - HELPLINE 0191 430 0901** who will be able to assist you with this and any other problems you may encounter.

When you are ready to start, make sure that you have the right tools to hand, plenty of space and a clean dry working area.

NOTE: Protect the surface you are working on to prevent any possible damage to the fire surround or floor.

Fire Instructions

For fire operating instructions please refer to the separate instructions supplied with the fire.

Care

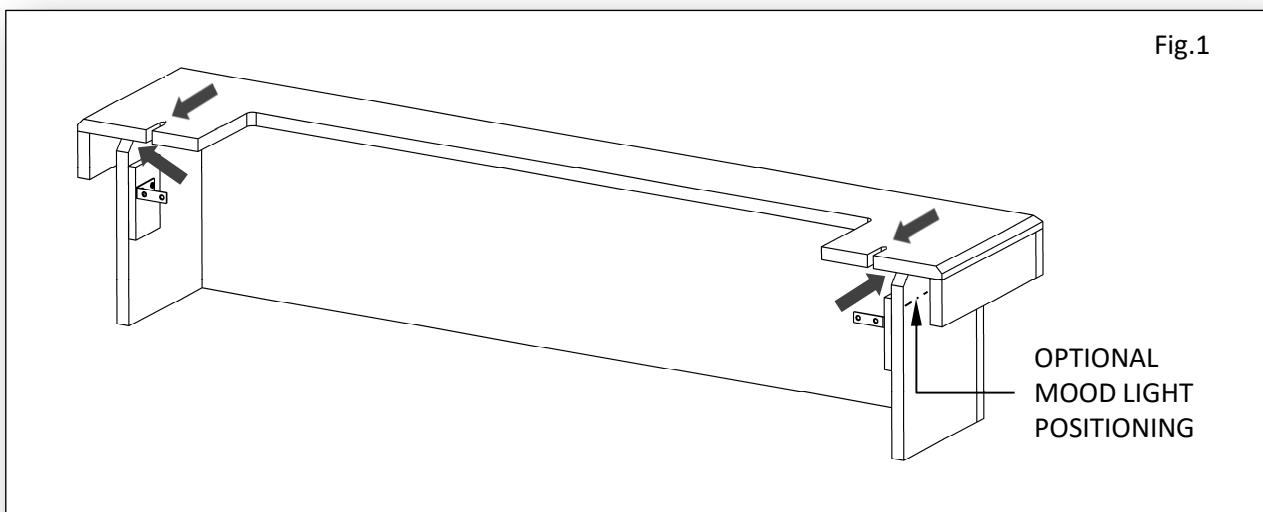
To maintain the appearance of your new suite we recommend that it is dusted using a lint free cloth. **NEVER** use any form of abrasive or **DAMP** cloth.

Tools Required (not supplied) •Drill •Pencil •Screw Driver •Ruler •Tape Measure

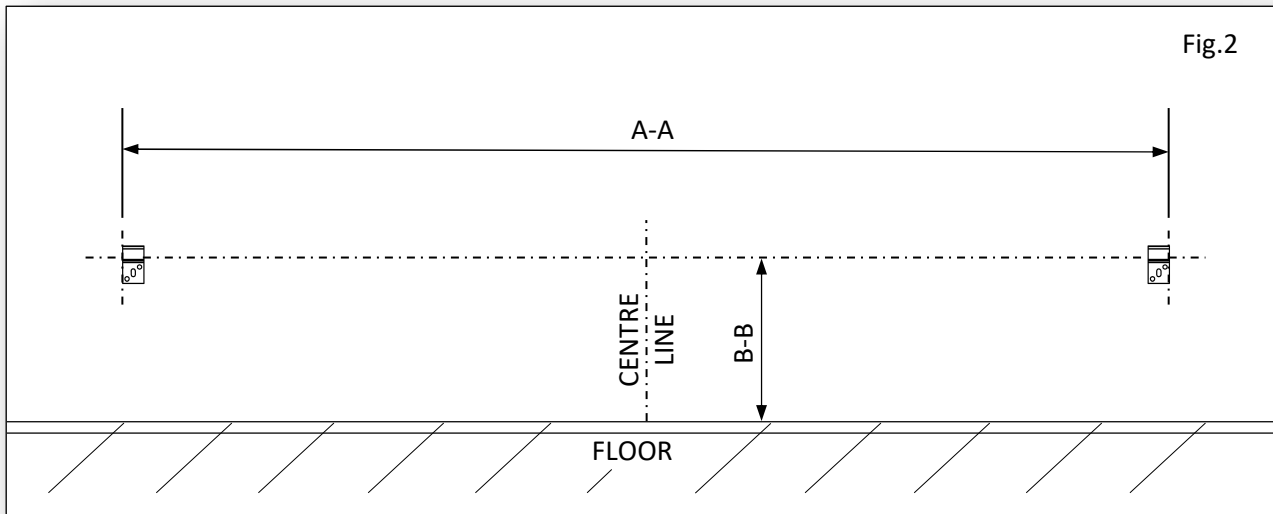
Surround Installation

IMPORTANT: Before the surround can be installed, consideration will need to be given to the routing the power supply to the fire and mood lighting if fitted. This will affect the stages of the installation process. We advise a qualified electrician conduct any electrical parts of the installation.

The power cable will be packed with the Fire (G). When installing the hearth the power cable will need to be routed through the hearth notch. Optional mood lights should be fixed to the plinth polished face under the upper Hearth body (see page 10). Clean the marble face before installation to achieve a good fixing. **See Fig.1.**



Hearth & Plinth Installation

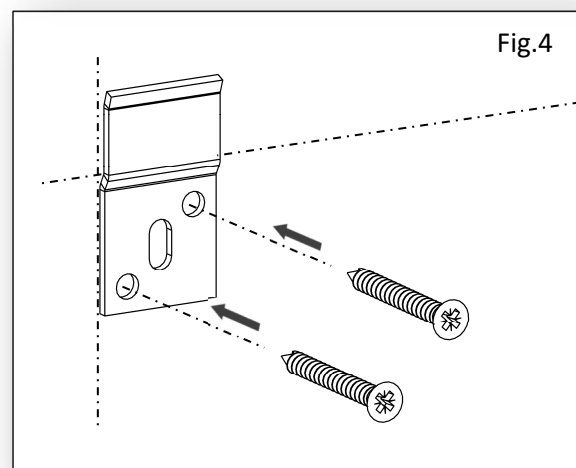
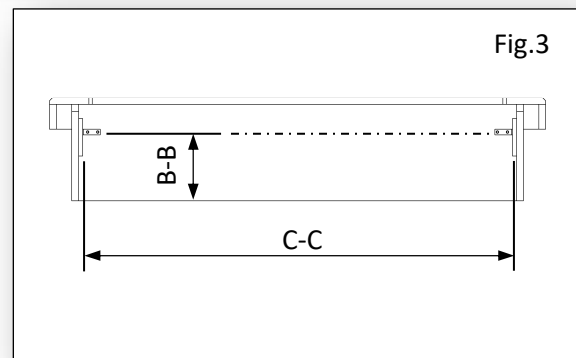


1. Unpack the Surround Main Body (A) and Hearth-Plinth (B). Packed with the Main Body (A) is the supplied fitting kit. Unpack and confirm all components have been supplied as detailed in page 2.

2. Confirm the desired installation position of the Suite, ensuring that the Hearth-Plinth (B) will be level and firmly secured in the desired position on a bed of suitable mortar. Mark a vertical centre line 300mm from the floor on the wall. **See Fig.2.**

3. Working from the rear of the Hearth-Plinth (B) measure between the L-bracket MDF side blocks (C-C) and minus 20mm from the dimension. This will give the dimension for A-A. Measure from the base of the hearth to the underside of the L-brackets, for dimension B-B. Mark guide lines centrally on the wall. **See Fig.2 & 3.**

4. Position the 2x Wall Brackets (C) on the wall, marking up as shown in **Fig.2 & 4.** Mark the hole positions, drill & plug the wall using appropriate fixings. (see 'Important Note' on page 12). Then securely fix the Wall Brackets (C) in place. **See Fig.4.**



Hearth & Plinth Installation Continued..

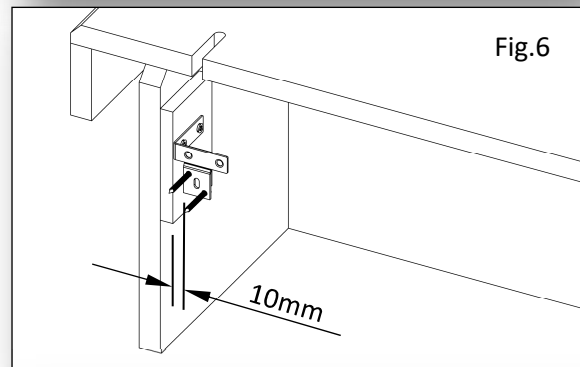
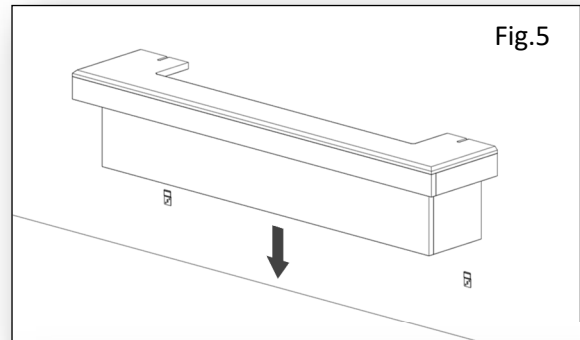
5. Once the Wall Brackets (C) have been securely screwed to the wall.

Carefully lower the Hearth-Plinth (B) in to position, hooking the L-brackets over the Wall Brackets. **See Fig.5.** The brackets must be positioned as illustrated in **Fig.6.**

Note: Before proceeding further the power cable will require routing through the notch in the hearth.

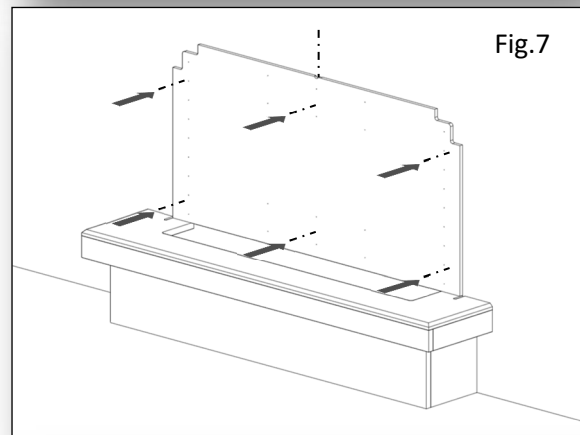
Note: The Hearth is a two adult person lift.

IMPORTANT: If a power cable is to be routed to the rear of the suite. Care must be taken not to crush or damage the cable when positioning the Suite.



Mount Board Installation

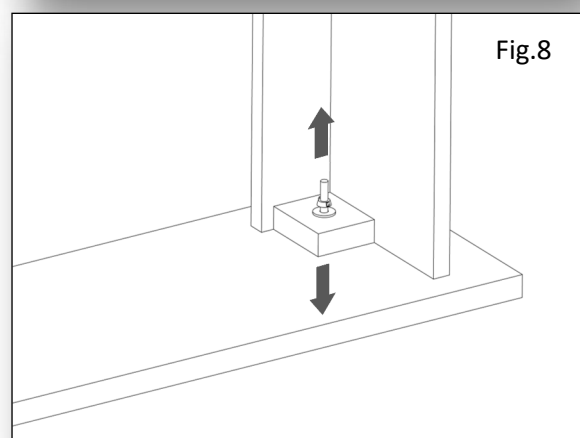
6. To aid with the Suite installation a plywood Mount Board (H) has been provided to help secure the Fire (G) in the correct position. Position the Mount Board (H) central on the Hearth-Plinth (B). To make the installation as flexible as possible, no pre-drilled fixing points have been provided. The installer should select the best fixing points for their wall. The Mount Board (H) should be screwed to the wall using appropriate fixings (**see 'Important Note' on page 12**) a minimum of 6 screws should be used to mount the board. **See Fig.7.**



Main Body Wall Bracket Installation.

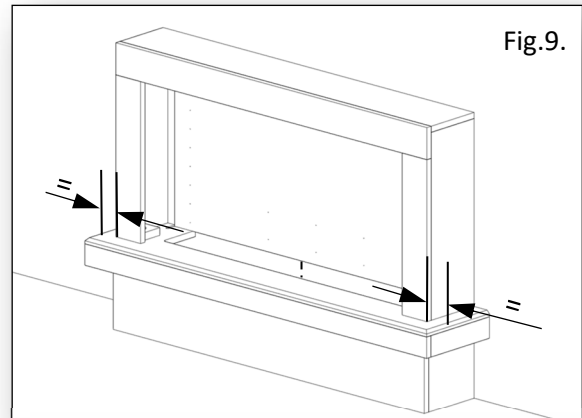
7. To install the Wall Brackets (C) for the installation of the surround Main Body (A), first remove the transit board by removing the wingnuts and washers holding the transit board in place. Then lift the Main Body (A) off the boards fixing bolts. **See Fig.8.**

The transit board and bolts are no longer required.

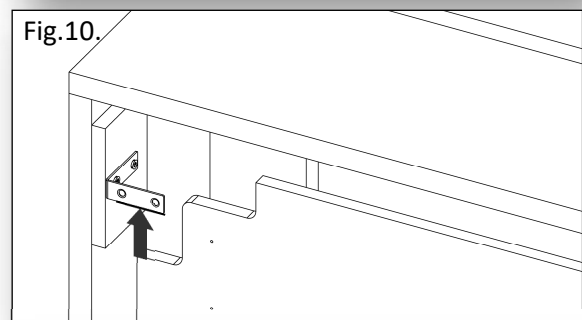


Main Body Wall Bracket Installation Continued..

8. Lift the Main Body (A) in to position centrally on the pre-installed Hearth-Plinth (B). **See Fig.9.**



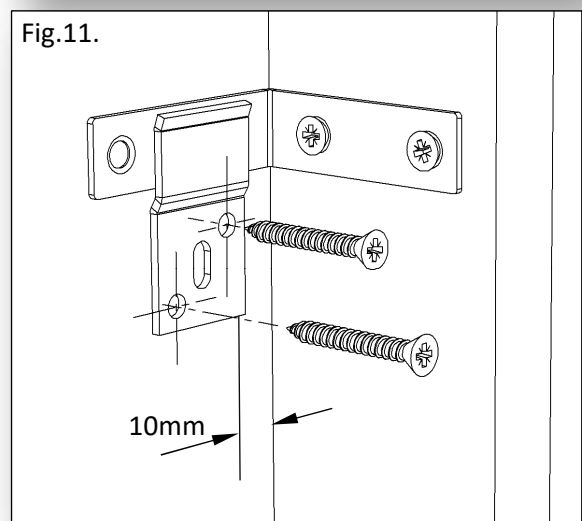
9. Mark a line under both pre-installed L-brackets 10mm in from the MDF side blocks. **See Fig.10.**



10. Position the 2x Wall Brackets (C) on the wall markings as detailed. **See Fig.10,11.**

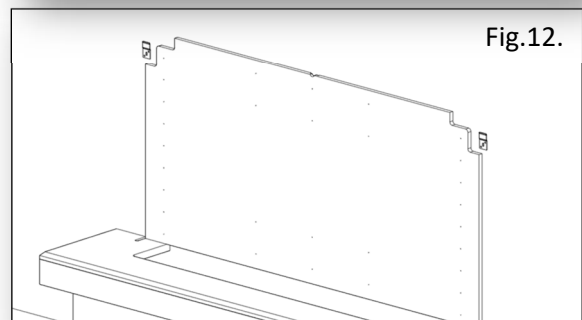
Mark the hole positions and remove the Main Body (A).

Drill & plug the wall using appropriate fixings (see 'Important Note' on page 12).



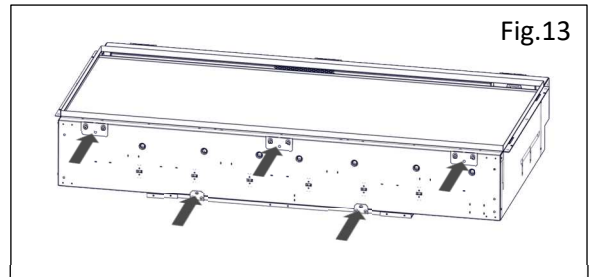
Note: An extra Wall Bracket (C) is supplied, however this is not required for this installation.

11. Securely fix the Wall Brackets (C) in place, on each side of the Mount Board (H). **See Fig.12.**

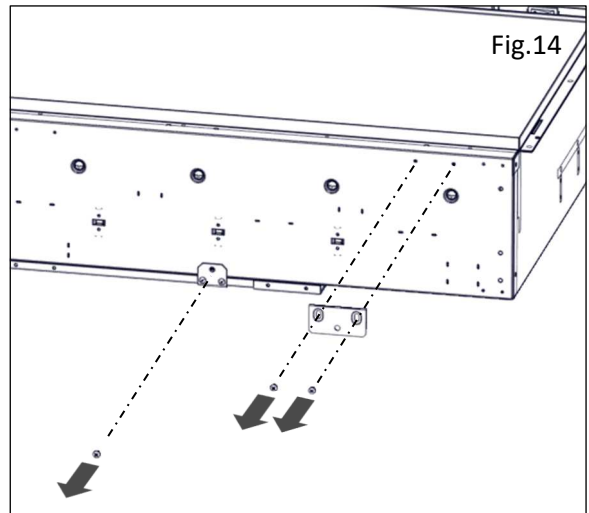


Preparing the Fire for Installation

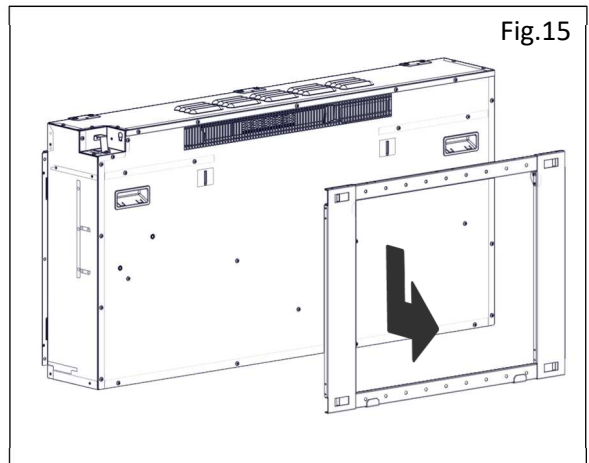
12. Unpack the Fire (G)



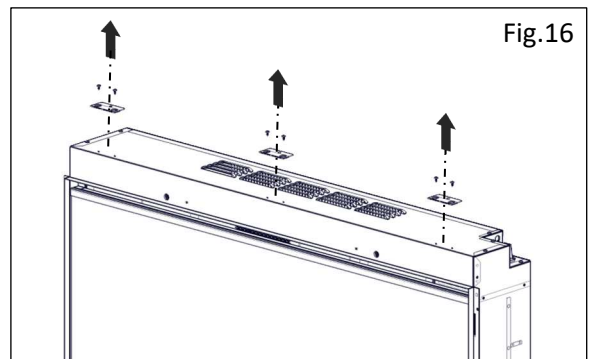
13. Lay the Fire (G) on its back and unscrew the 2x wall mount bracket securing screws on the rear base of the Fire (G). **Fig.13,14.**



14. Position the Fire (G) back on to its base and angle the wall mount bracket away from the Fire (G) at the base, then move the bracket down off the hook points. **Fig.15.**



15. The Fire (G) is also supplied from the factory with 4x or 6x finger bend fixing brackets. Lay the Fire (G) on its back again. Each bracket is held in place with 2x screws. Remove all brackets. They are not required for this installation. **Fig. 13-16.**

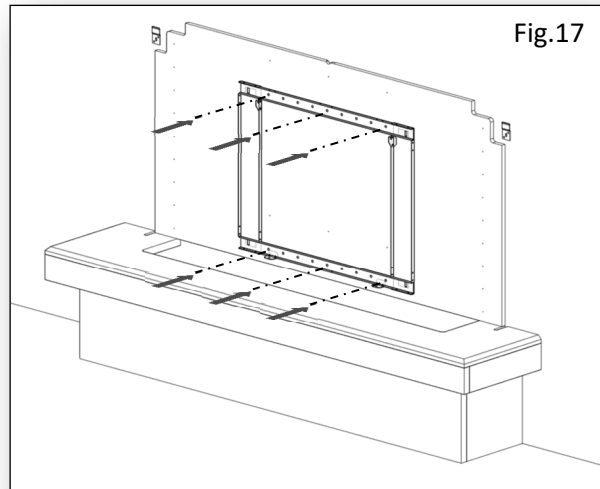


Installing the Fire

16. Screw the previously removed Fire wall mount bracket to the previously installed plywood Mount Board (H).

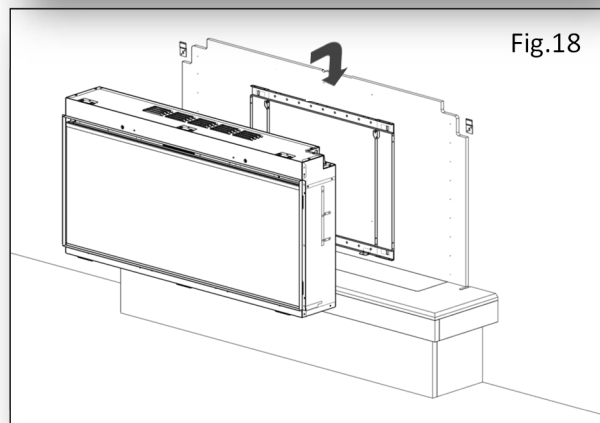
The Mount Board (H) is pre-drilled at the factory with two bracket mount positions.

For this installation the **lower row** of fixing holes should be used. **See Fig.17.**

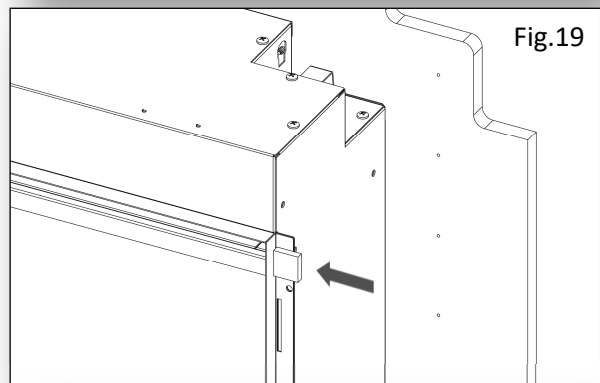


17. Lift the Fire (G) on to the mount bracket, lowering the fire down on to the bracket hooks. At this stage the power cable can be connected to the fire as specified in the fire instructions. **See Fig.18.**

Note: The Fire is a two adult person lift.

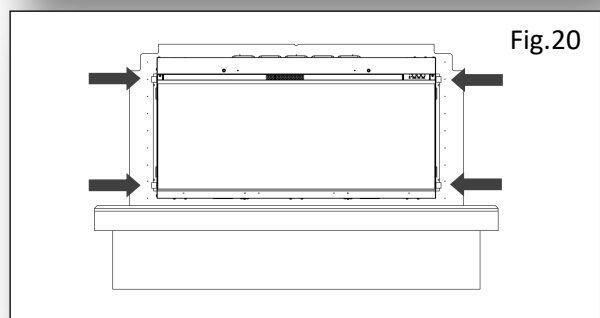


18. Due to a small variation in material thickness of the different Back Panel Trim (F) options. We have provided Adhesive Pads (E) to take up any gap between the Back Panel Trim (F) and the Surround Main Body (A).



19. To fit the Adhesive Pads (E). Remove the backing and stick one Adhesive Pad (E) on each corner of the Fire outer flanges. 4 in total.

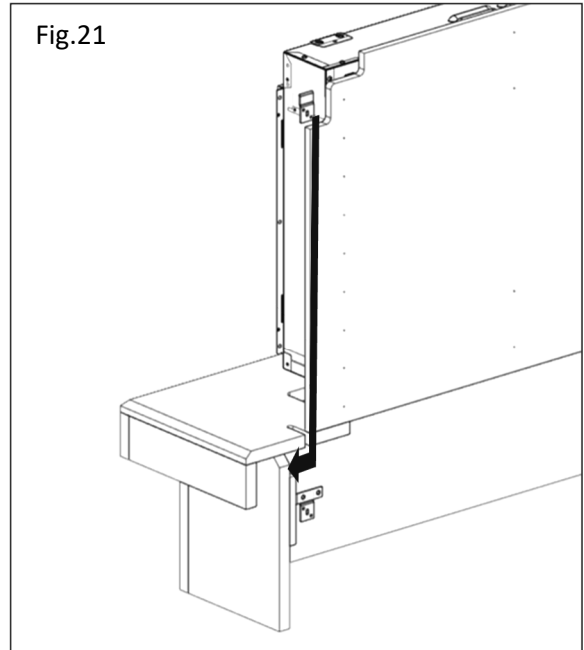
See Fig.19 & 20.



Installing the Mood Lighting

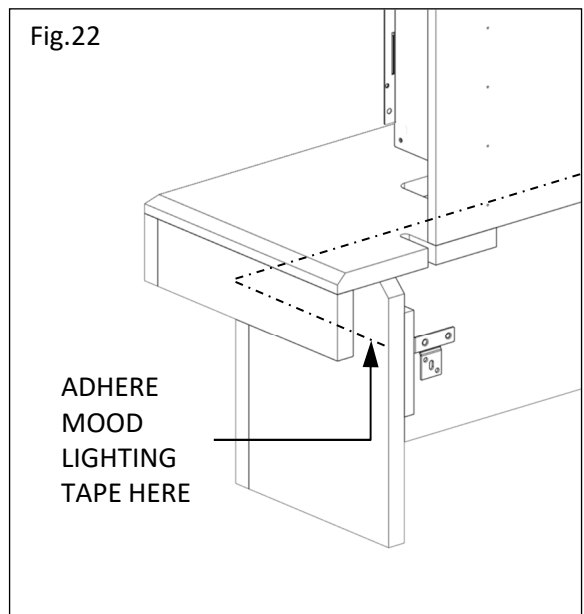
Note: If optional mood lighting has been purchased, this will need installing before proceeding any further.

20. Connect the mood lighting to the corresponding port on the fire and route the cable down the side of the fire to the underside of the Hearth-Plinth (B). **See Fig.21.**



21. Peel the film off the adhesive tape on the rear of the mood lighting and adhere to the **polished face** of the plinth under the Hearth top. **See Fig.22.**

Tip: Clean the marble face before installation to achieve a good fixing.



Installing the Back Panel Trim

22. Unpack the Back Panel Trim (F) and if applicable remove the protective film.
See Fig.23.

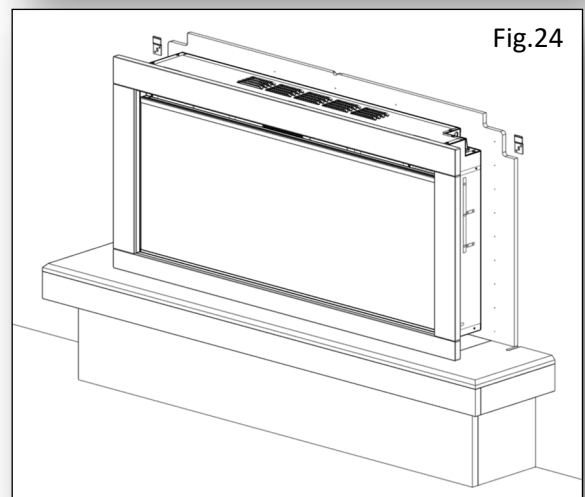
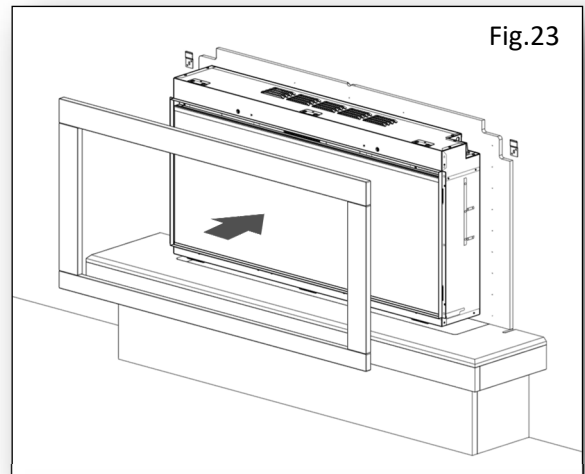
See Fig.23.

Note: The Back Panel Trim (F) is supplied with 3 x Fire Support Stands, these **are not** required for this installation.

23. Place the Back Panel Trim (F) over the Fire (G) outer flanges.
See Fig.24.

See Fig.24.

Note: Take care not to let the Back Panel Trim (F) fall forward onto the floor, as this may damaged to the part.



Installing Surround Main Body

24. To fit the Main Body (A) in place. Lift and position the Main Body (A) over the pre-installed Wall Brackets (C) and into the pre-machined notch in the rear of Mount Board (H). See Fig.25-27.

Note: The Main Body is a two adult person lift.

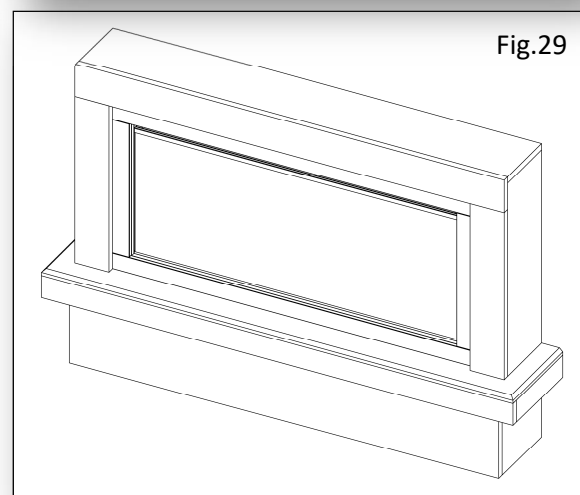
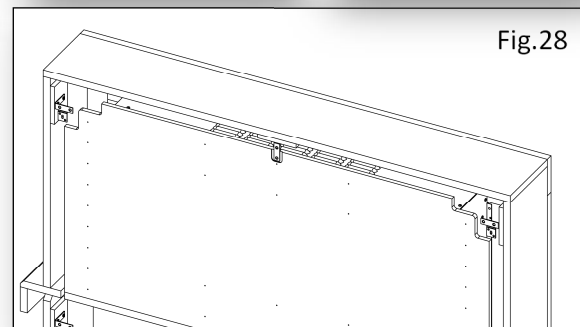
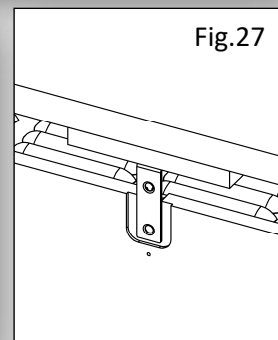
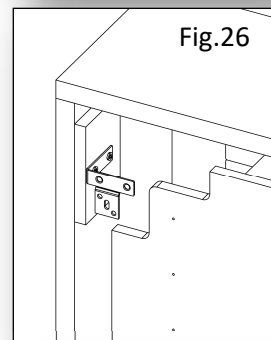
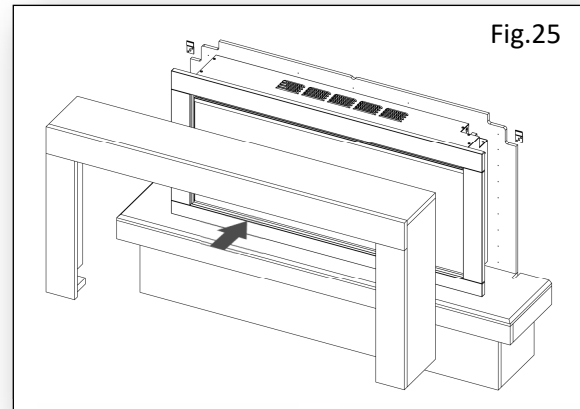
25. The pre-installed Main Body L-brackets should engage as Fig 26, 27 & 28. Once installed confirm the Main Body is securely held in place.

26. The suite installation is now complete. See Fig.29.

For information on how to dress the fuel bed and position the logs, please scan the QR code detailed on Page 13 or follow the link to our website.

For fire operating instructions please scan the QR code detailed on Page 13 or follow the link to our website.

Note: Should a defect be discovered and in the event of a Suite being permanently fixed to the wall the householder will be responsible for any costs incurred.



Maintenance

WARNING: Before any maintenance or whilst cleaning the exterior of the fireplace, the unit should be disconnected from the power supply until it has cooled down.

Cleaning the Fire

Cleaning or polishing products are not recommended. Fingerprints or other marks on the front glass panel can be removed by a piece of soft, damp, lint-free cloth with a good quality household glass cleaner. The front glass panel should always be completely dried with a clean, lint-free cloth or paper towel.

CAUTION: Abrasive cleaners should not be used on the glass panel. Liquids should not be sprayed directly onto any surface of the unit.

Troubleshooting

Should you have any queries regarding this product please contact Customer Services on 0191 4300901 (option 4) or email us at customerservices@bemodern.co.uk

Recycling

All cardboard packing is recyclable

iQFX

Scan here for detailed installation and user instructions and guidance videos or download from <https://www.bemodern.com/diamondfireplaces/support/downloads/>



IMPORTANT NOTE:

Wall fixings (i.e. screws/wall plugs etc.) are not supplied as these are crucially dependent upon the type of wall and surface the Suite is going to be fixed too.

The installer is therefore responsible for ensuring that suitable fittings are used as well as individual fitting situations and environments. All mechanical fixings, for holding the Suite in position, must be secured to a solid wall or structure.

Where appropriate please recycle packaging responsibly.
