

bemodern[®]

FIREPLACES & STOVES | BATHROOM FURNITURE

DIAMOND

Luxury Fireplaces

Wall Mounted Timber Suites Instructions For Assembly & Installation

(Surround, Back Panel & IQFX Fire Supplied Separately)

Models Covered:

4257

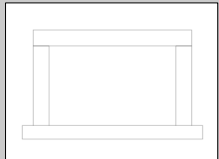
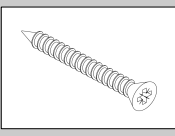
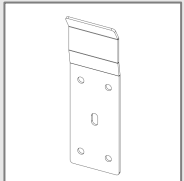
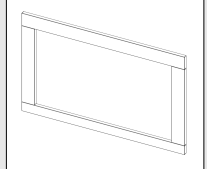
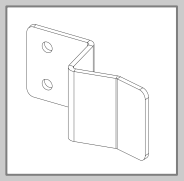
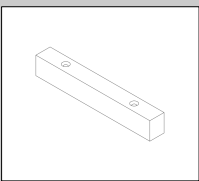
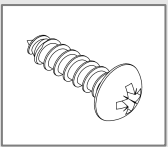
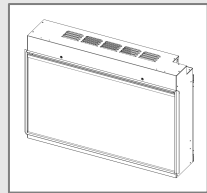
Wall Mounted Timber Suites

Including

IQFX 750L /1000L / 1250L

	Page
Parts & Fittings Supplied	2
4-Piece Back Panel Installation	3-4
Preparing the Fire for Installation	4
Installing the Fire	5
Installing the Suite	6-7
Maintenance/ Important Note	8

Parts & Fittings Supplied.

REF	PARTS	DIAGRAM	QTY	REF	PARTS	DIAGRAM	QTY
A BOX-1	Surround (No back Panel Fitted)		1	E BOX-1	3.5mm x 40mm CSK Screws Supplied with surround.		6
B BOX-1	Wall Bracket Supplied with surround.		2	F BOX-2	Back Panel Trim Supplied Separately.		1
C BOX-1	Panel Bracket Supplied with surround.		4	G BOX-2	Fire Supports Stands Supplied Separately with the Back Panel.		3
D BOX-1	4mm x 16mm Dome head POZI Screws Supplied with surround		12	H BOX-3	Fire Supplied Separately.		1

Before you start

DO NOT dispose of the packaging until you have checked and made sure you have all the parts and fittings listed above. If not, contact: **BE MODERN - HELPLINE 0191 430 0901** who will be able to assist you with this and any other problems you may encounter.

When you are ready to start, make sure that you have the right tools to hand, plenty of space and a clean dry working area.

NOTE: Protect the surface you are working on to prevent any possible damage to the fire surround or floor.

Fire Instructions

For fire operating instructions please refer to the separate instructions supplied with the fire.

Care

To maintain the appearance of your new suite we recommend that it is dusted using a lint free cloth. **NEVER** use any form of abrasive or **DAMP** cloth.

Tools Required (not supplied)

•Pencil •Screw Driver •Ruler •Tape Measure •Drill

4-Piece - Back Panel Installation

1. Unpack the Surround (A) and Back Panel (F).

Note: Design and colour of the Back Panel (F) will vary depending on the product purchased.

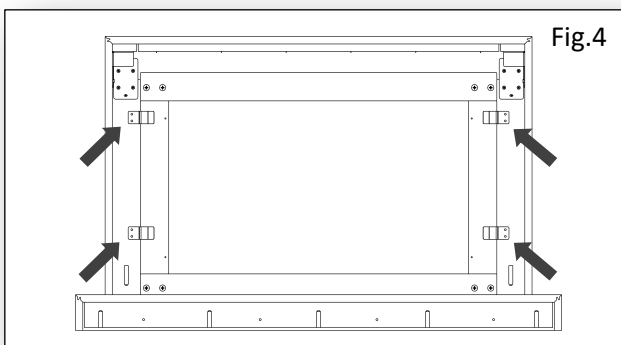
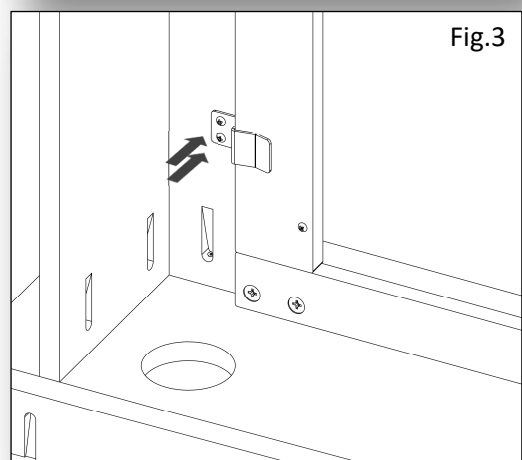
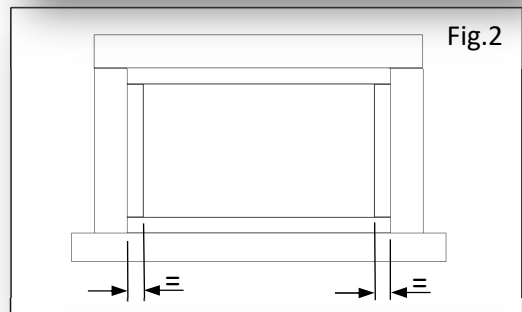
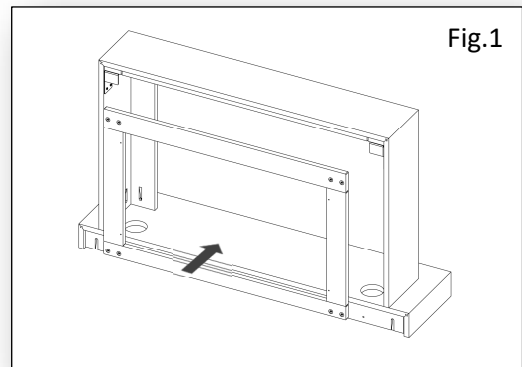
2. Position the Back Panel (F) into the Surround (A) from the rear. Fig.1.

3. Centralise the Back Panel (F) in the Surround (A) opening. Fig.2.

4. Confirm the Back Panel (F) is central, mark the fixing holes, remove Back Panel (F) and using a 2mm drill bit, drill 6mm deep pilot holes. Fig.3/4.

5. Secure the Back Panel (F) in place with the supplied 4x Panel Brackets (C) & 8x 16mm Dome Head Screws. (D) Use 2x Panel Brackets (C) on each side. Fig.3/4.

Note: Take care not to over tighten the screws and protrude through the front of the surround.



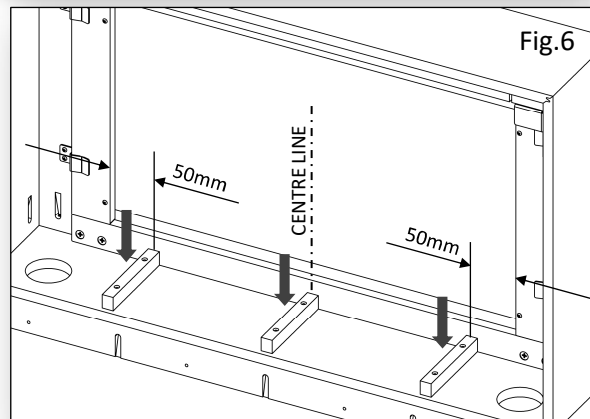
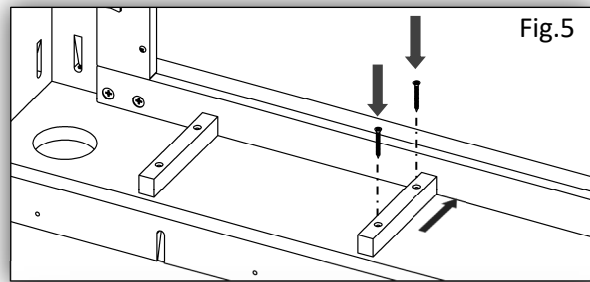
Back Panel Installation Continued...

6. Packed with the Back Panel (F) are 3x Fire Support Stands (G). Starting with the centre support, place the fire support flush with the back panel and flat on the centre of the hearth. Fig.5.

Note: Do not push the back panel forward bending the back panel out of position.

Screw the Fire Support Stand (G) down to the hearth panel, using the 2x 40mm CSK screws (E) in the pre-drilled holes in the Fire Support Stand. Fig.5.

7. Position the 2x remaining Fire Support Stands (G), 50mm in from the right and left hand sides of the opening. Before positioning, confirm there are no screw heads or fixings on the fire base that will obstruct the placement of the Fire (H) in it finished position. Fig.6.



Preparing the Fire for Installation

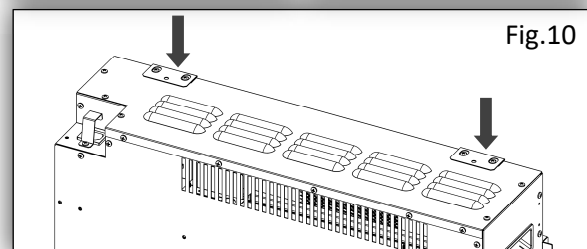
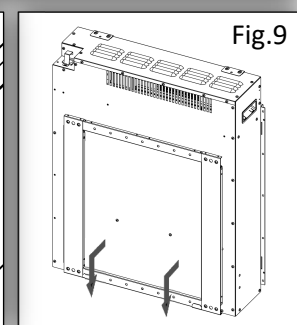
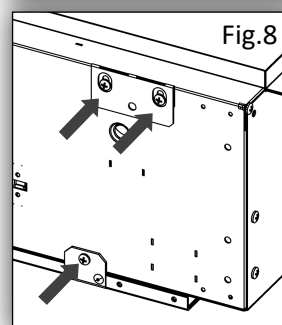
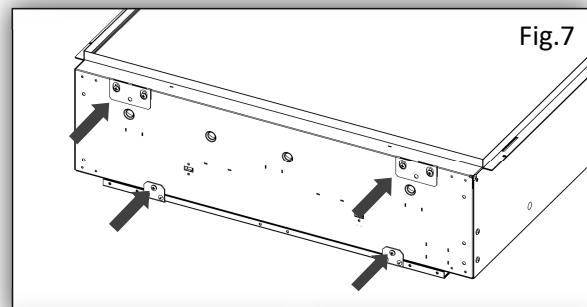
8. Unpack the Fire (H).

9. Remove the fire rear wall mount bracket and 4x top and bottom finger bend fixing brackets, which have been fitted to the Fire (H) at the factory and are not required for this installation. Fig.7-10.

Note: Always remove the bracket and ensure there is a **minimum** 11mm air gap at the rear of the fire when fully installed.

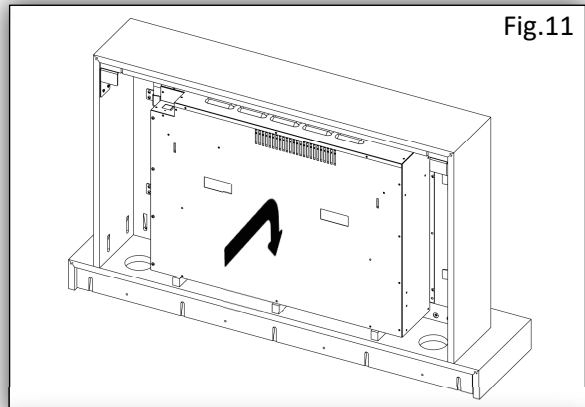
10. Lay the Fire (H) on its back and unscrew the 2x rear wall mount bracket securing screws on the rear base of the fire. Fig.7&8. Position the Fire (H) back on to its base and angle the wall mount bracket away from the fire at the base, then move the bracket down off the hook points. Fig.9.

11. The Fire (H) is supplied from the factory with 4x finger bend fixing brackets. 2x top & 2x bottom. Lay the Fire (H) on its back again. Each bracket is held in place with 2x screws. Remove all 4 brackets, they are not required for this installation. Fig. 7/8/10.

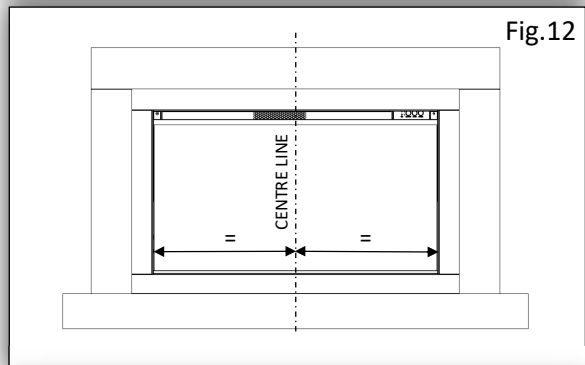


Installing the Fire

12. With the help of a second person and using the handles fitted to the rear or side of the Fire (H), lift the Fire (H) into the rear of the Surround (A). Positioning the Fire (H) through the opening in the Back Panel (F) and resting the Fire (H) on the Fire Support Stands (G) or hearth dependent on the model purchased. Fig.11.



13. Viewing the Suite from the front, adjust the Fire (H) to be positioned centrally in the Suite opening. Fig.12.

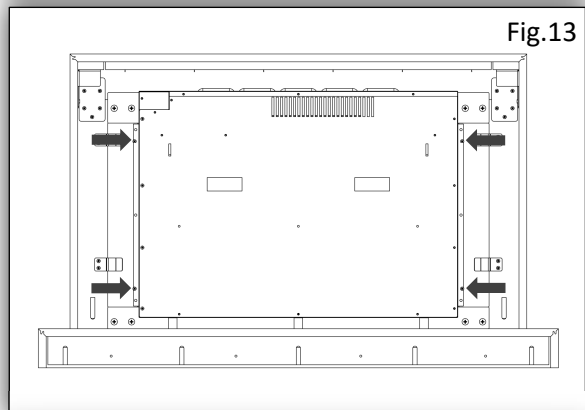


14. Once the Fire (H) is positioned in the correct finished position. Mark the centre of the 4x fixing positions in the fire flanges. Fig.13.

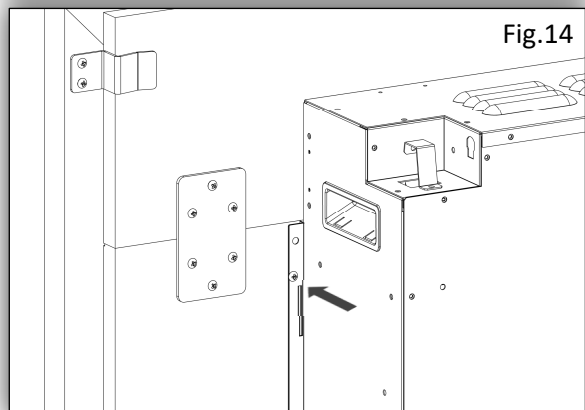
15. Lift the Fire (H) off the Fire Support Stands (G) and using a 2mm drill bit, drill **6mm deep** pilot holes at the pre-marked positions.

Note: Care must be taken not to drill through to the face of the back panel.

16. The Fire (H) can now be lifted back in to position and centralised. Working from the top, screw the Fire (H) securely in place with the 4x 16mm Dome Head Screws provided. (D). Fig. 13&14.



17. The installation of the Fire (H) in the Surround (A) is now complete. To install the built up Suite in the desired position in the room, please follow the Installing the Suite instructions on Page 6.



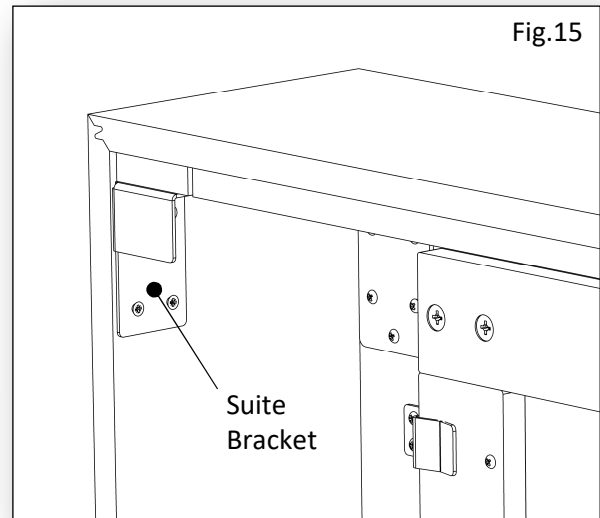
Installing the Suite

18. The Suite is pre-fitted at the factory with 2x Suite brackets. See Fig.15.

Wall brackets (B) will need to be securely fixed to the wall in relation to the desired finished position of the Suite.

Consideration will need to be given to the position of the electric point, because this may affect the required finished position of the suite.

IMPORTANT: If a power cable is to be routed to the rear of the Suite. Care must be taken not to crush or damage the cable when positioning the Suite.

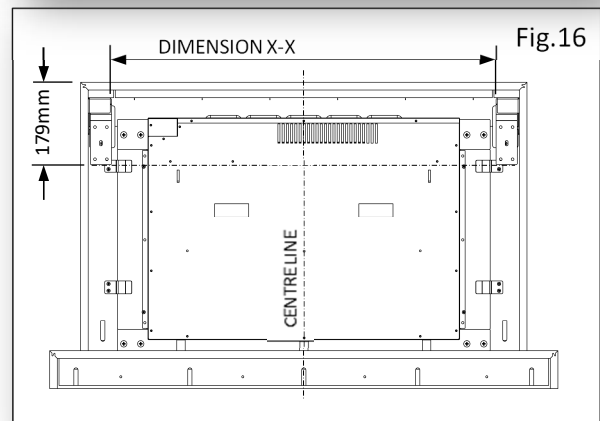


19. Decided on the finished installation height of the top of the Suite.

Measure down **179mm** and mark a level line central to the Suites proposed finished position.

The line should be **40mm** less than the width of the Suite.

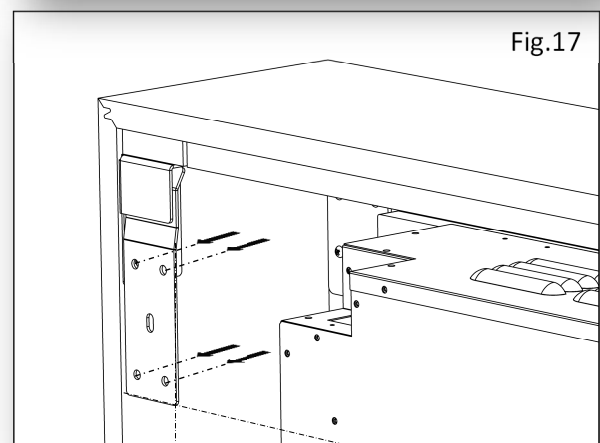
Measure the internal width of the Suite. Mark two vertical lines **116mm** less than the internal width of the Suite. (See dimension X-X). See Fig.16.



20. Position the Wall Brackets (B) in line with the guide marks and securely fix in place using appropriate fixings, dependent on the type of wall. (see 'Important Note' on page 8).

Fig.16 -17.

Note: A minimum of 4x fixings are required per bracket.



Installing The Suite Continued....

21. Lift the Suite onto the Wall Brackets (B) and confirm it is securely held in place. See Fig.18.

Note: The Suite is a two adult person lift.

22. For additional security and to prevent the Suite being accidentally lifted off the Wall Brackets (B).

The Suite has pre-drilled fixing holes in the hearth rear brace. See Fig.19.

Mark the position of these holes.

Lift the Suite off the wall, then drill and plug the wall were marked.

23. Lift the Suite back in to place and fix and using appropriate fixings, dependent on the wall type. (see 'Important Note' on page 8).

Finally confirm the Suite is installed level and securely fixed in place.

The Suite installation is now complete.

For information on how to dress the fuel bed and position the logs, please scan the QR code detailed on Page 8 or follow the link to our website.

For fire operating instructions please scan the QR code detailed on Page 8 or follow the link to our website.

Note: Should a defect be discovered and in the event of a Suite being permanently fixed to the wall the householder will be responsible for any costs incurred.

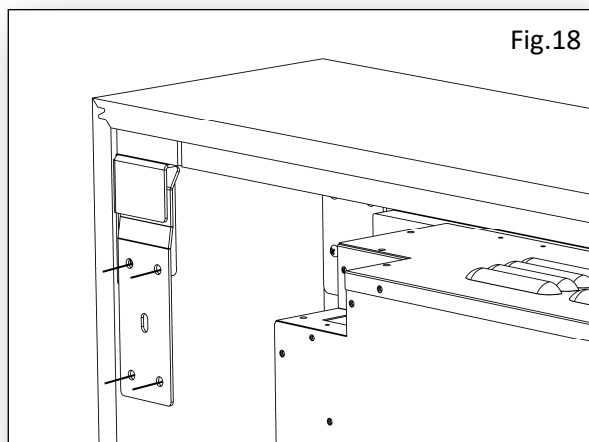


Fig.18

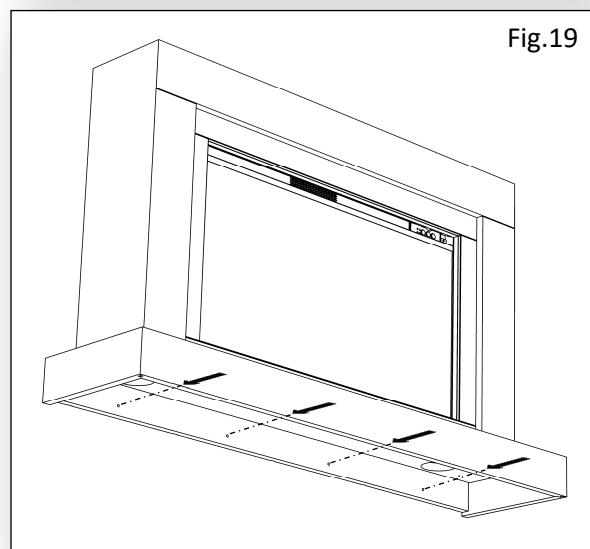


Fig.19

Maintenance

WARNING: Before any maintenance or whilst cleaning the exterior of the fireplace, the unit should be disconnected from the power supply until it has cooled down.

Cleaning the Fire

Cleaning or polishing products are not recommended. Fingerprints or other marks on the front glass panel can be removed by a piece of soft, damp, lint-free cloth with a good quality household glass cleaner. The front glass panel should always be completely dried with a clean, lint-free cloth or paper towel.

CAUTION: Abrasive cleaners should not be used on the glass panel. Liquids should not be sprayed directly onto any surface of the unit.

Troubleshooting

Should you have any queries regarding this product please contact Customer Services on 0191 4300901 (option 4) or email us at customerservices@bemodern.co.uk

Recycling

All cardboard packing is recyclable

iQFX

Scan here for detailed installation and user instructions and guidance videos or download from <https://www.bemodern.com/diamondfireplaces/support/downloads/>



IMPORTANT NOTE:

Wall fixings (i.e. screws/wall plugs etc.) are not supplied as these are crucially dependent upon the type of wall and surface the Suite is going to be fixed too.

The installer is therefore responsible for ensuring that suitable fittings are used as well as individual fitting situations and environments. All mechanical fixings, for holding the Suite in position, must be secured to a solid wall or structure.

Where appropriate please recycle packaging responsibly.
