

bemodern®

FIREPLACES & STOVES | BATHROOM FURNITURE

DIAMOND

Luxury Fireplaces

Floor Standing Timber Suite Instructions For Assembly & Installation

(Surround, Back Panel & IQFX Fire supplied Separately)

Models Covered:

4327/4340/4339

Timber Floor Standing Suites

Including

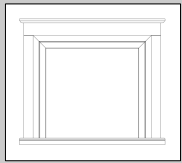
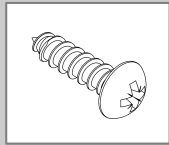
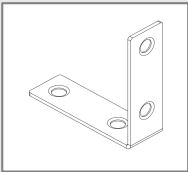
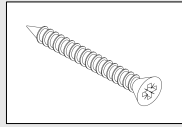
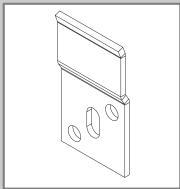
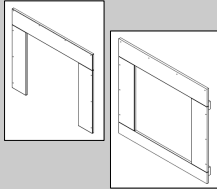
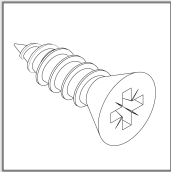
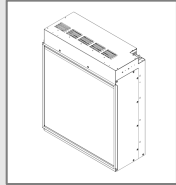
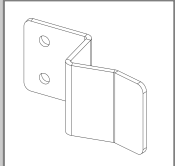
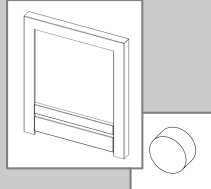
IQFX 600P / 750P / 750L

Or

IQFX 16"

	Page
Parts & Fittings Supplied	2
4 Piece Back Panel Installation- IQFX 600P/750P/750L	3-4
Preparing the Fire for Installation- IQFX 600P/750P/750L	4
Installing the Fire- IQFX 600P/750P/750L	5
Installing the Suite- IQFX 600P/750P/750L	6
3 Piece Back Panel Installation- IQFX16	7
Installing the Suite- IQFX 16	8
Installing the Fire- IQFX 16	9
Installing the Trim- IQFX 16	10
Maintenance/ Important Note	11

Parts & Fittings Supplied.

REF	PARTS	DIAGRAM	QTY	REF	PARTS	DIAGRAM	QTY
A BOX-1	Surround (No back Panel Fitted)		1	F BOX-1	4mm x 16mm Dome head POZI Screws Supplied with surround		14
B BOX-1	Mantel Bracket Supplied with surround.		2	G BOX-1	3.5mm x 40mm CSK Screws Supplied with surround.		9
C BOX-1	Wall Bracket Supplied with surround.		2	H BOX-2	Back Panel 3 piece or 4 piece & 3x Fire Supports Stands. Supplied Separately.		1
D BOX-1	3.5mm x 16mm CSK Screws Supplied with surround.		4	J BOX-3	Fire Supplied Separately.		1
E BOX-1	Panel Bracket Supplied with surround.		5	K BOX-4	16" Fire Trim & 5x 10mm Dia. Magnets Supplied Separately.		1

Before you start

DO NOT dispose of the packaging until you have checked and made sure you have all the parts and fittings listed above. If not, contact: **BE MODERN - HELPLINE 0191 430 0901** who will be able to assist you with this and any other problems you may encounter.

When you are ready to start, make sure that you have the right tools to hand, plenty of space and a clean dry working area.

NOTE: Protect the surface you are working on to prevent any possible damage to the fire surround or floor.

Care

To maintain the appearance of your new suite we recommend that it is dusted using a lint free cloth. **NEVER** use any form of abrasive or **DAMP** cloth.

Tools Required (not supplied)

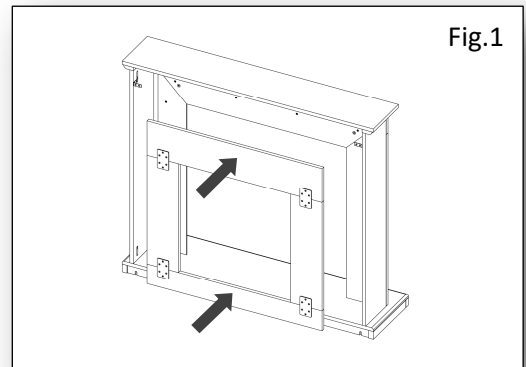
•Drill •Pencil •Screw Driver •Ruler •Tape Measure

4-Piece - Back Panel Installation – IQFX 600P/750P/750L

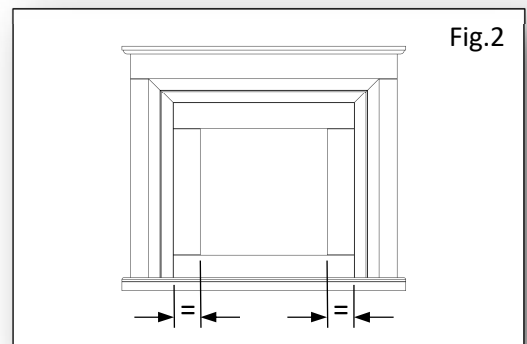
1. Unpack the Surround (A) and Back Panel (H).

Note: Design and colour of the Back Panel (H) will vary depending on the product purchased.

2. Position the Back Panel (H) into the Surround (A) from the rear. Fig.1.



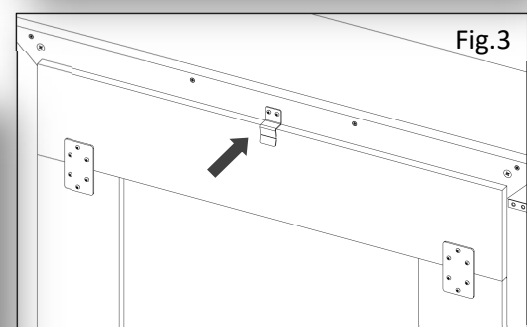
3. Position the Back Panel (H) centrally in the surround opening. Fig.2.



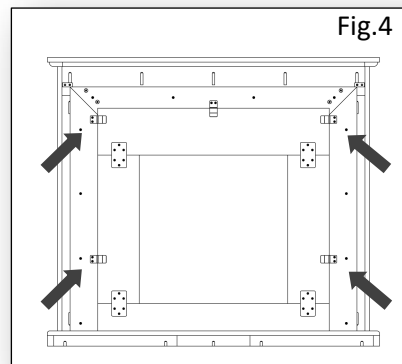
4. Using 1x Panel Bracket (E) centrally along the top edge of Back Panel (H), mark the fixing holes, remove and using a 2mm drill bit, drill 6mm deep pilot holes. Fig.3/3b.

5. Secure the Back Panel (H) at the top edge using Panel Bracket (E) and 2x 16mm Dome Head Screws (F). Fig.3/3b.

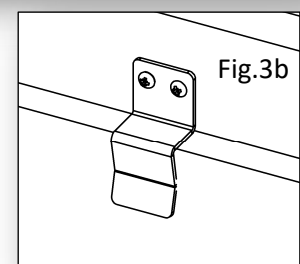
Note: Take care not to over tighten the screw and protrude through the front of the surround.



6. Next fix the 4x remaining Panel Brackets (E). Begin by confirming the Back Panel (H) is still central, mark the fixing holes and using a 2mm drill bit, drill 6mm deep pilot holes. Secure the panel in place with the 4x remaining Panel Brackets (E) and 8x 16mm Dome Head Screws (F). Use 2x Panel Brackets (E) on each side. Fig.4.



Note: In the event the Back Panel (H) does not pull tight up against the Surround (A), manually adjust the angle of the brackets and refit.

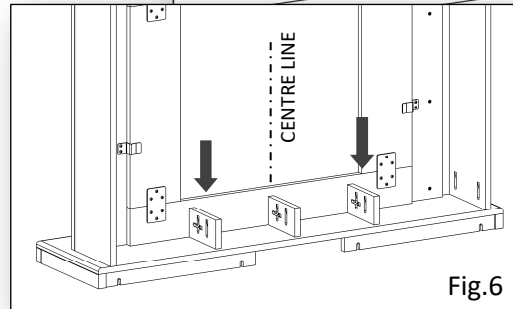
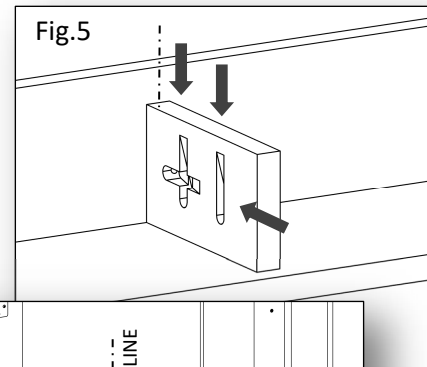


Back Panel Installation Continued...

7. Packed with the Back Panel (H) are 3x fire support stands. Starting with the Centre Support Stand, screw the support down to the hearth panel and then in to the Back Panel (H). Use 3x 40mm CSK screws (G) in the pre-machined screw slots. Fig.5. The 2x remaining support stands need to be positioned, equal spaced from the centre support.

The positioning will depend on the fire dimensions, but must be close to the fire's outer edge. Before positioning, confirm there are no screw heads or fixings on the fire base that will obstruct the placement of the fire in its finished position. Fig.6.

Note: Take care not to over tighten the screws and protrude through the front of the back panel.



Preparing the Fire for Installation - Fire - IQFX 600P/750P/750L

8. Unpack the Fire (J).

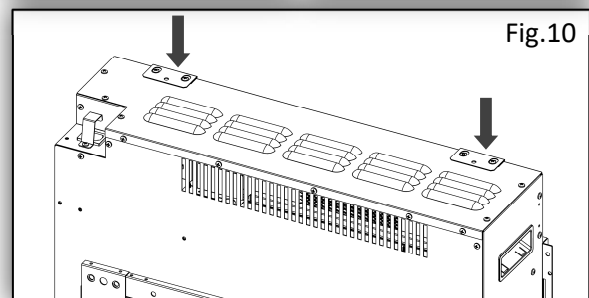
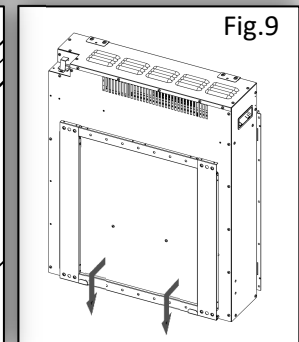
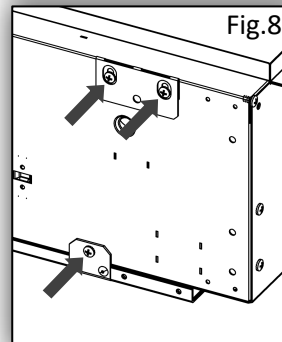
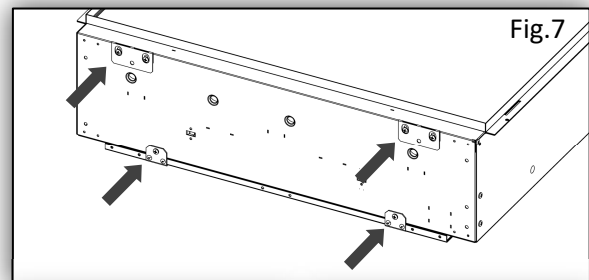
9. Remove the rear fire wall mount bracket and 4x top and bottom finger bend fixing brackets, which have been fitted to the Fire (J) at the factory and are not required for this installation. Fig.7-10.

Note: Always remove the bracket and ensure there is a **minimum** 11mm air gap at the rear of the fire when fully installed.

10. Lay the Fire (J) on its back and unscrew the 2x wall mount bracket securing screws on the rear base of the fire. Fig.7&8.

Position the Fire (J) back on to its base and angle the wall mount bracket away from the fire at the base, then move the bracket down off the hook points. Fig.9.

11. The Fire (J) is also supplied from the factory with 4x finger bend fixing brackets - 2x top & 2x bottom. Lay the Fire (J) on its back again. Each bracket is held in place with 2x screws. Remove all 4 brackets, they are not required for this installation. Fig. 7/8/10.



Installing the Fire – IQFX 600P/750P/750L

12. With the help of a second person and using the handles fitted to the rear or side of the Fire (J) . Lift the Fire (J) into the rear of the Surround (A), positioning it through the opening in the Back Panel (H) and resting the Fire (J) on the fire supports stands or hearth dependent on the model purchased. Fig.11.

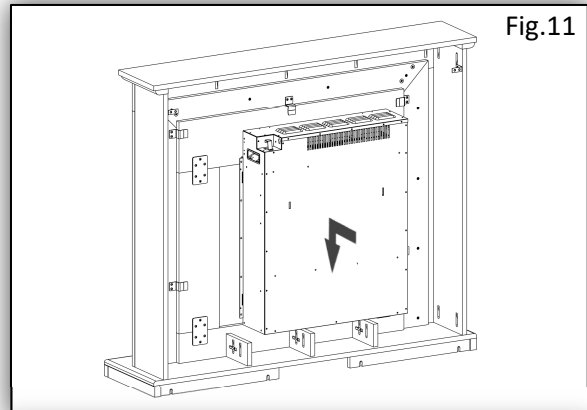


Fig.11

13. Viewing the Suite from the front, adjust the Fire (J) to be positioned centrally in the Suite opening. Fig.12.

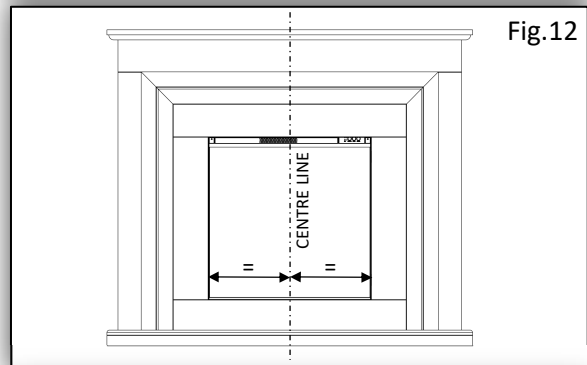


Fig.12

14. Once the Fire (J) is positioned in the correct finished position. Mark the centre of the screw points for the 4x fixing positions. Fig.13.

15. Lift the Fire (J) off the fire supports and using a 2mm drill bit, drill **6mm deep** pilot holes at the pre-marked points.

Note: Care must be taken not to drill through to the face of the back panel.

16. The Fire (J) can now be lifted back in to position and centralised. Working from the top, screw the Fire (J) securely in place with the 4x 16mm Dome head Screws (F) provided. Fig. 13 & 14.

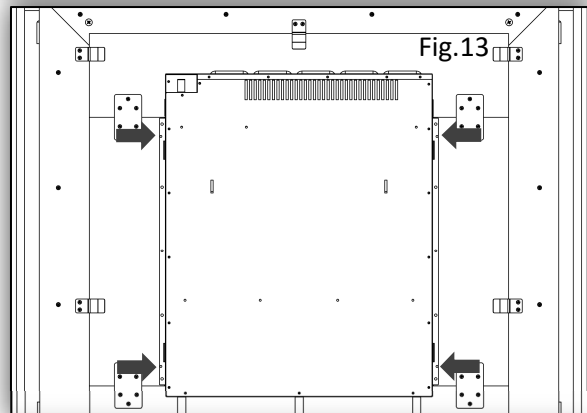


Fig.13

17. The installation of the Fire (J) in the Suite is now complete. To install the built up Suite in the desired position in the room, please follow the 'Installing the Suite instructions' on Page 6.

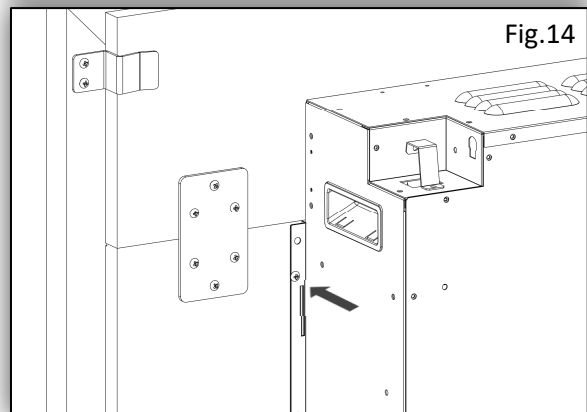


Fig.14

Installing the Suite - Fire – IQFX 600P/750P/750L

18. Screw the 2x Mantel Brackets (B) to the inside of each leg (100mm down from the top face) using the 4x 16mm screws (D) provided, making sure that the brackets are flush with the rear of the leg. Fig.15/16.

Note: The Suite is a two adult person lift.

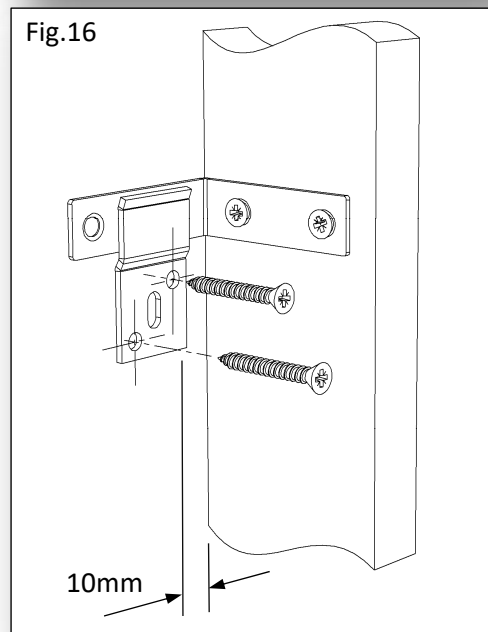
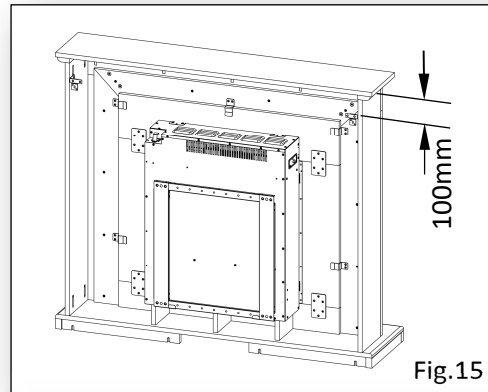
19. Trial fit the Suite in the required position. Remove any obstructions, ie. cut to shape or remove skirting to allow the Suite to sit flush with the wall.

20. With the Suite in position. Lightly scribe the wall in line with outer edges of the Suite. Lift the Suite away from the wall. Measure inwards from the previously scribed line the thickness of the Suite leg plus 10mm. Fig.16.

21. Fix the 2x Wall Brackets (C) in place using the appropriate fixing dependent on the type of wall material (**Fixings are not supplied- See Page 11**). Ensure the Mantel Brackets (B) will fall halfway between the folds on the Wall Brackets (C). Fig.16.

IMPORTANT: If a power cable is to be routed to the rear of the Suite. Care must be taken not to crush or damage the cable when positioning the suite.

22. Lift the Suite onto the Wall Brackets (C) and confirm it is securely held in place. The installation is now complete.



For information on how to dress the fuel bed and position the logs, please scan the QR code detailed on Page 11 or follow the link to our website.

For fire operating instructions please scan the QR code detailed on Page 11 or follow the link to our website.

23. In the unlikely event of the electric fire requiring repair or replacement, it may be necessary to remove the whole Suite from the wall position, this can be done by lifting the Suite straight up, off the fixing brackets located at the rear. To replace the Suite please follow steps above.

Note: Should a defect be discovered and in the event of a Suite being permanently fixed to the wall the householder will be responsible for any costs incurred.

3-Piece - Back Panel Installation – IQFX 16"

24. Unpack the Surround (A) and Back Panel (H).

Note: Design and colour of the Back Panel (H) will vary depending on the product purchased.

25. Position the Back panel (H) into the Surround (A) from the rear of the fire. Fig.17.

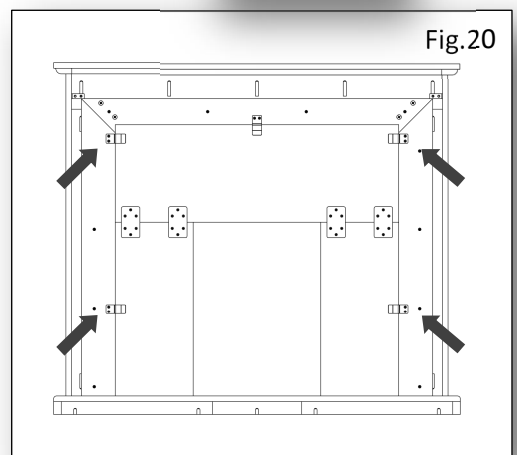
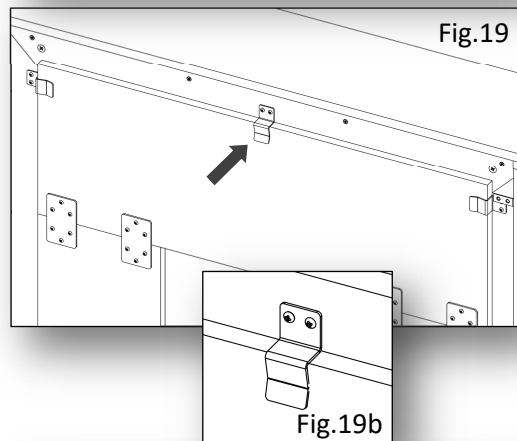
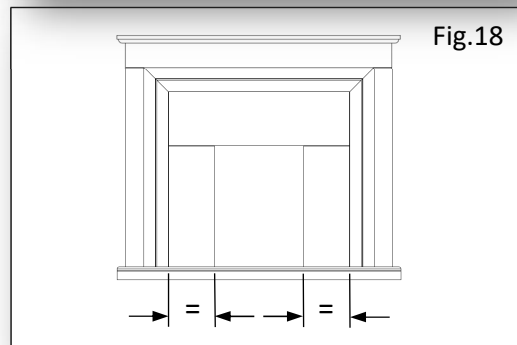
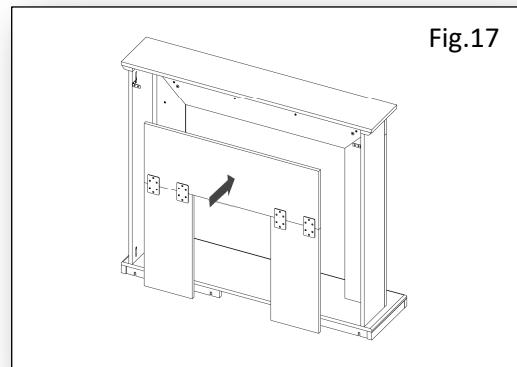
26. Position the Back Panel (H) centrally in the surround opening. Fig.18.

27. Using 1x Panel Bracket (E) centrally along the top edge of Back Panel (H), mark the fixing holes, remove and using a 2mm drill bit, drill 6mm deep pilot holes. Fig.19/19b.

28. Secure the Back Panel (H) at the top edge using Panel Bracket (E) and 2x 16mm Dome Head Screws (F). Fig.19/19b.

Note: Take care not to over tighten the screw and protrude through the front of the Surround (A).

29. Confirm the Back panel (H) is still central, then secure the panel in place with the 4x remaining Panel Brackets (E) and 8x 16mm Dome Head Screws. Use 2x Panel Brackets (E) on each side. Fig.20.



Installing The Suite – IQFX 16”

30. Screw the 2x Mantel brackets (B) to the inside of each leg (100mm down from the top face) using the 4x 16mm Screws (D) provided, making sure that the brackets are flush with the rear of the leg. Fig.21/22.

Note: The Suite is a two adult person lift.

31. Trial fit the Suite in the required position. Remove any obstructions, ie. cut to shape or remove skirting to allow the Suite to butt up to the wall.

32. With the Suite in position. Lightly scribe the wall in line with outer edges of the Suite. Lift the Suite away from the wall. Measure inwards from the previously scribed line the thickness of the Suite leg plus 10mm. Fig.22.

33. Fix the 2x Wall brackets (C) in place using the appropriate fixing dependent on the type of wall material (**Fixings are not supplied – See Page 11**). Ensure Mantel Brackets (B) will fall halfway between the folds on the Wall Brackets (C). Fig.22.

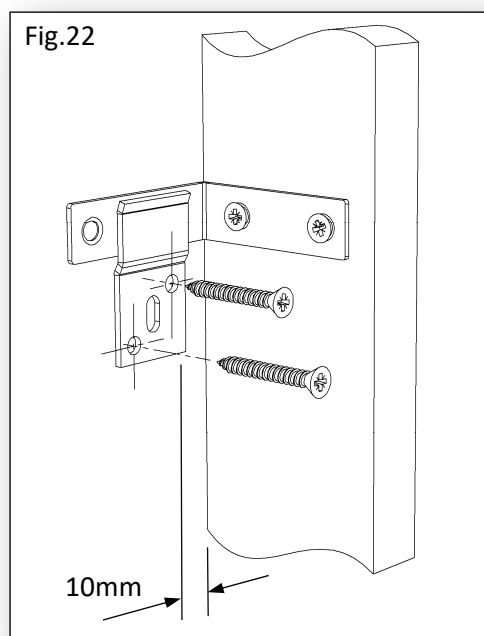
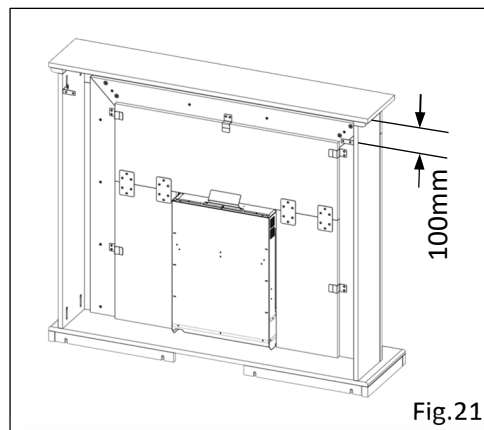
IMPORTANT: If a power cable is to be routed to the rear of the Suite. Care must be taken not to crush or damage the cable when positioning the Suite.

34. Lift the Suite onto the Wall Brackets (C) and confirm it is securely held in place.

35. In the unlikely event of the electric fire requiring repair or replacement, it may be necessary to remove the whole Suite from the wall position, this can be done by lifting the Suite straight up, off the fixing brackets located at the rear. To replace the Suite please follow steps above.

Note: Should a defect be discovered and in the event of a Suite being permanently fixed to the wall the householder will be responsible for any costs incurred.

36. Next proceed with installing the Fire (J)
See Page 9



Installing the IQFX 16" Fire

36. Screw the back panel clamp bracket to the top of the Fire (J) using 3x 10mm dome head screws supplied with the Fire (J). See Fig.23.

There are three mounting positions dependent on the back panel thickness. The middle fixing point is suitable for 18mm back panel thicknesses. See Fig.23.

37. Due to the variation in back panel thickness, the back panel clamp bracket may need to be bent forward or backwards by hand to aid fitment.

NOTE: The bracket has been design to prevent the fire falling forward only and is **not** expected to be a tight fit.

38. To fit the Fire (J) in place, position the back panel clamp bracket under the Back Panel (H) at an angle (See Fig.24-25.) taking care not to trap the power cable.

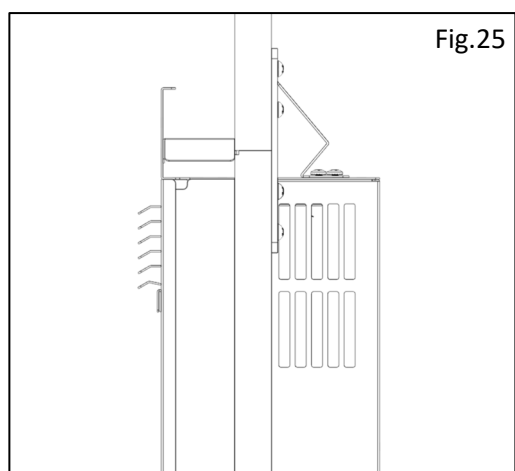
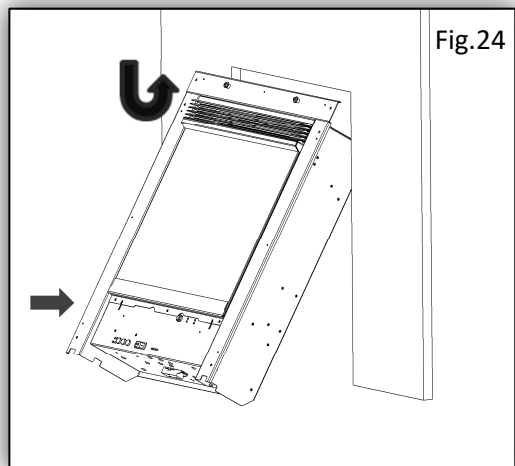
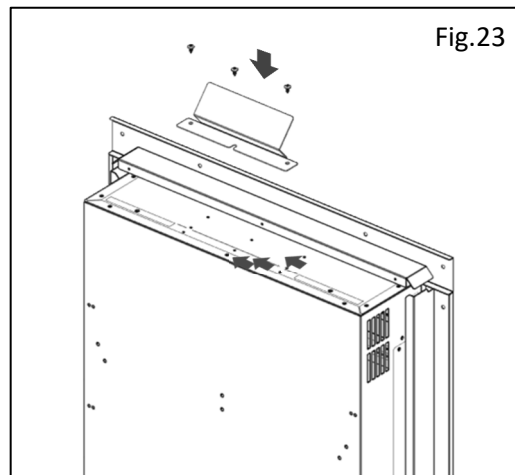
NOTE: Care must be taken not to scratch the surround hearth at this stage of installation.

Once the fire lower rear edge has cleared the hearth, the Fire (J) can be stood up right and slowly eased back in to the back panel cut-out.

To overcome the spring effect of the clamp, light pressure may be added to the Fire (J) to allow the fire to move back into place in the back panel cut-out.

When the Fire (J) is in its finished position the back panel clamp bracket will secure the fire against the back panel.

39. In the event the Fire (J) needs to be removed. Lift the Fire (J) vertical and angle the Fire (J) out of the back panel cut-out from the bottom.



Installing the IQFX 16" Trim

40. With the Suite securely installed in the finished position. Unpack the Fire Trim (K) which is supplied separately.

41. If applicable remove the trims protective cover.

42. Position the 4x 10mm diameter magnets to the rear of the Fire Trim (K) in the indicated positions. Fig.22.

43. Turn the Fire Trim (K) round to the front and drop the bottom trim louver down and place the last 10mm diameter magnets on the rear centre top of the trim louver and push back to contact the upper louver tab. Fig.22.

44. Place the Fire Trim (K) over the Fire (J), allowing the magnets to contact the fire body, securing the trim in place. Fig.23.

45. This completes the installation of the Suite with IQFX 16". Fig.24.

For information on how to dress the fuel bed and position the logs, please scan the QR code detailed on Page 11 or follow the link to our website.

For fire operating instructions please scan the QR code detailed on Page 11 or follow the link to our website.

Note: Should a defect be discovered and in the event of a Surround being permanently fixed to the wall the householder will be responsible for any costs incurred.

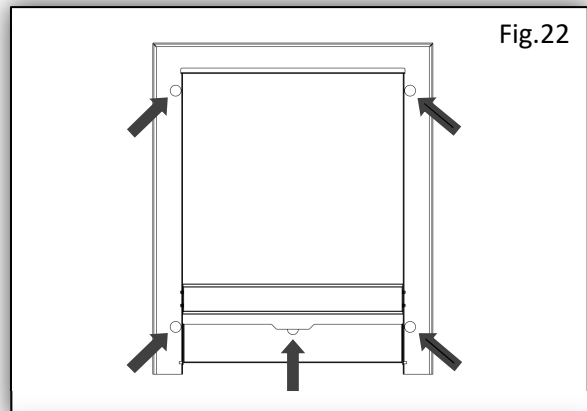


Fig.22

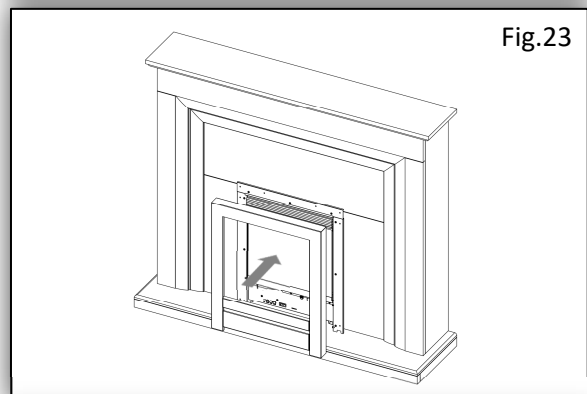


Fig.23

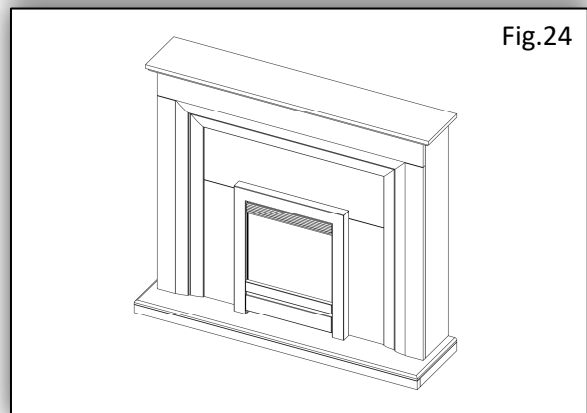


Fig.24

WARNING: Before any maintenance or whilst cleaning the exterior of the fireplace, the unit should be disconnected from the power supply until it has cooled down.

Cleaning the Fire

Cleaning or polishing products are not recommended. Fingerprints or other marks on the front glass panel can be removed by a piece of soft, damp, lint-free cloth with a good quality household glass cleaner. The front glass panel should always be completely dried with a clean, lint-free cloth or paper towel.

CAUTION: Abrasive cleaners should not be used on the glass panel. Liquids should not be sprayed directly onto any surface of the unit.

Troubleshooting


Should you have any queries regarding this product please contact Customer Services on 0191 4300901 (option 4) or email us at customerservices@bemodern.co.uk

Recycling

All cardboard packing is recyclable

iQFX

Scan here for detailed installation and user instructions and guidance videos or download from <https://www.bemodern.com/diamondfireplaces/support/downloads/>



iQFX
intelligent fires

IMPORTANT NOTE:

Wall fixings (i.e. screws/wall plugs etc.) are not supplied as these are crucially dependent upon the type of wall and surface the Suite is going to be fixed too.

The installer is therefore responsible for ensuring that suitable fittings are used as well as individual fitting situations and environments. All mechanical fixings, for holding the Suite in position, must be secured to a solid wall or structure.

Where appropriate please recycle packaging responsibly.