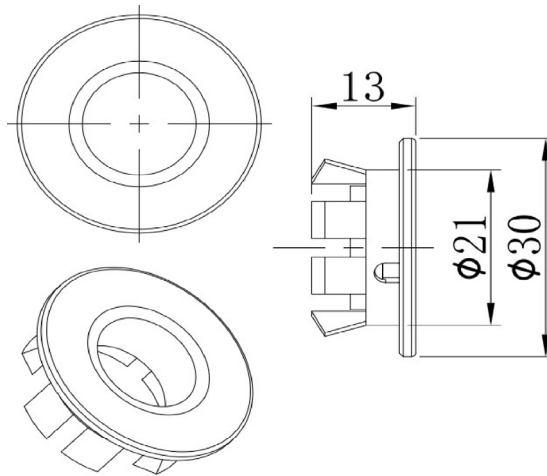


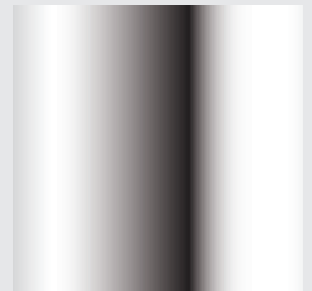
Diagrams not to scale.
All dimensions in mm tolerance of +/- 2mm



Specification:

- 1 year against manufacturing faults (excluding Ceramic or Glass parts)
- Construction: Brass

Finish



Chrome