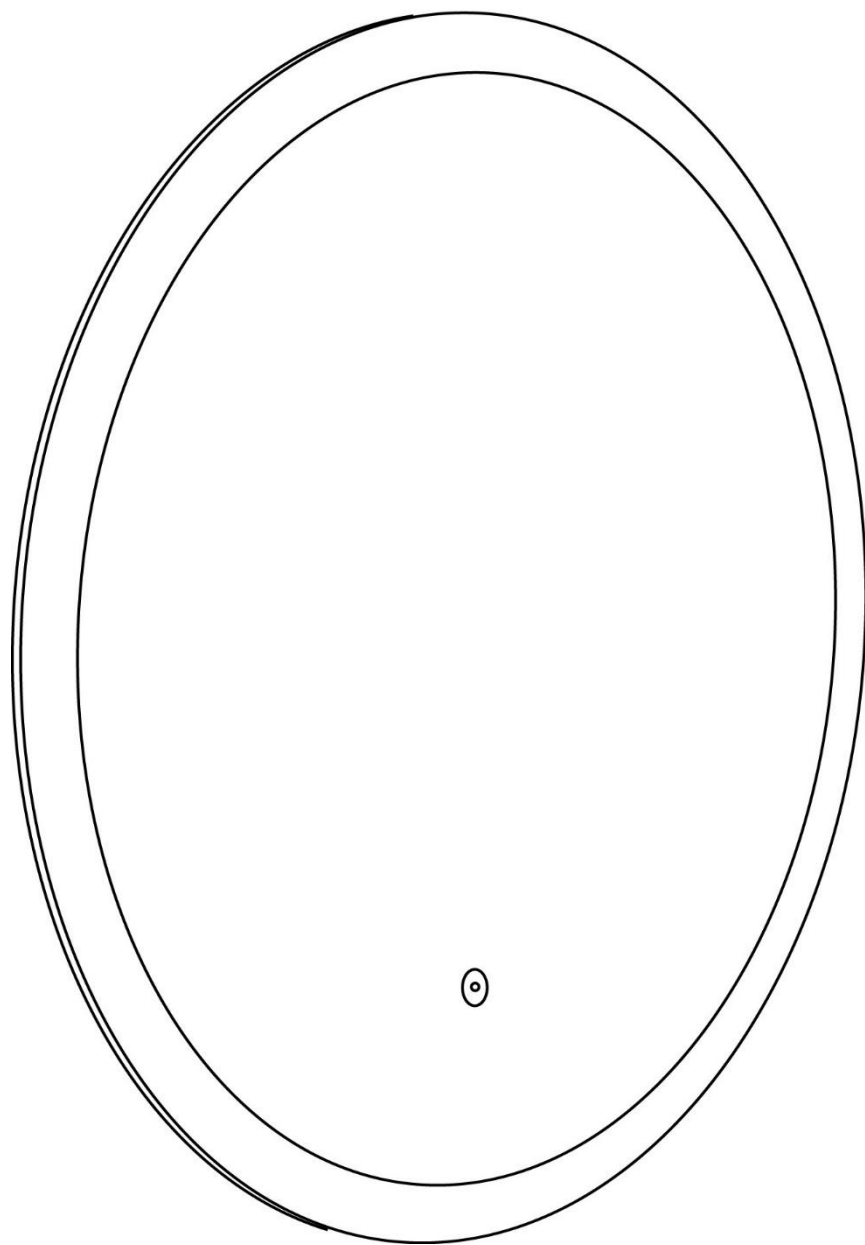


LED Bathroom Mirror with Bluetooth® Speakers



**UK
CA** **CE**

Technical Specification

Model No.: 283878

Supply Voltage: AC 220-240V 50-60Hz

Maximum power consumption: 43W

Class I, IP44. Suitable for Zone 2

Contents of Box

1 x Mirror

1 x Wall Hanging Bracket

2 x Screws and Plugs

Warning

Do Not strike glass components with hard or pointed items.

Do Not place very hot or very Cold items against or in close proximity to the glass surface unless an adequate thick insulation material is used to prevent such items coming in contact with glass.

Never cover the mirror as it is a heated product.

This mirror should be positioned away from curtains and other fabrics.

We recommend that the mirror is turned off after use and should never be left on for prolonged periods of time.

This mirror is 5mm thick film backed for safety, if it is broken or chipped replace immediately.

This product is only suitable for permanent installation, **DO NOT** connect to a trailing plug and socket outlet.

Always switch off the electrical supply at the mains during installation and or maintenance.

All fittings must be installed by a competent person, in accordance with current IEE wiring regulations, if in doubt consult a qualified electrician.

Wiring

This product is manufactured to class I category and must have an earth connection .

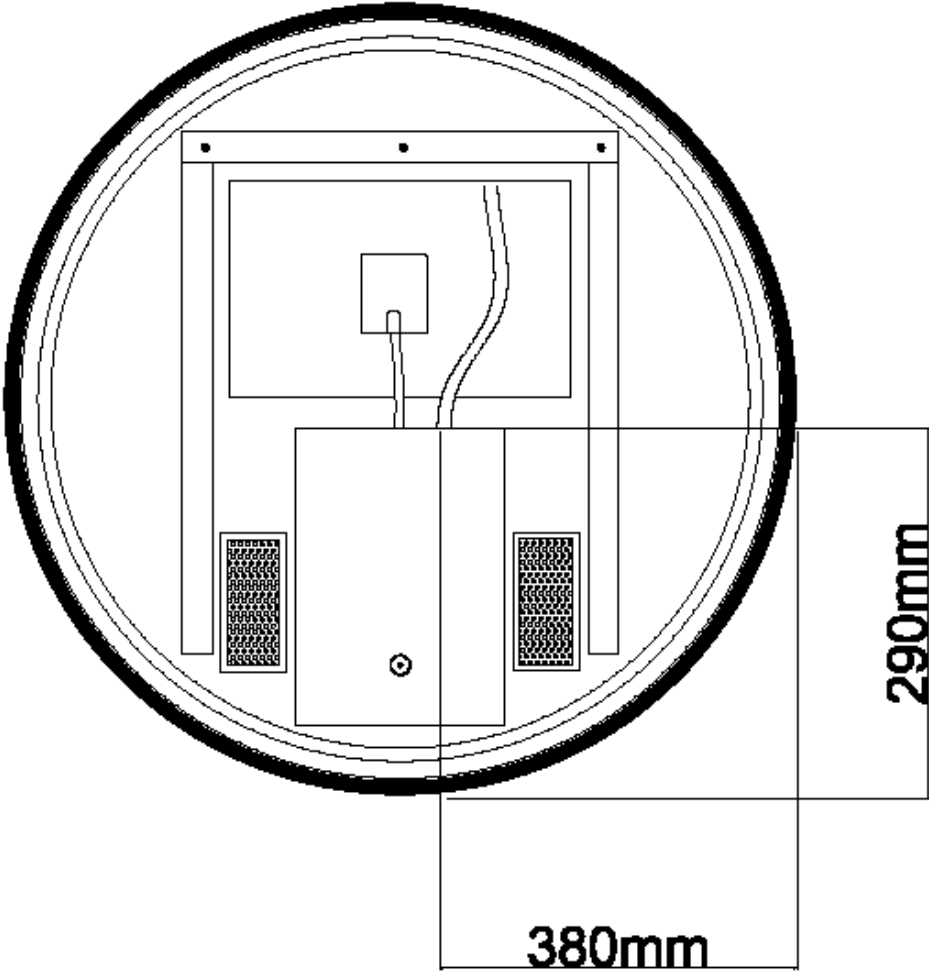
COLOUR CODING

L - Live

N - Natural

Earth - Green & Yellow

Technical Specification – Mains Cable Location



Important Safety Information

There are 3-bathroom zones that have been identified by the 18th edition [IET wiring regulations](#) and all applicable British standards :

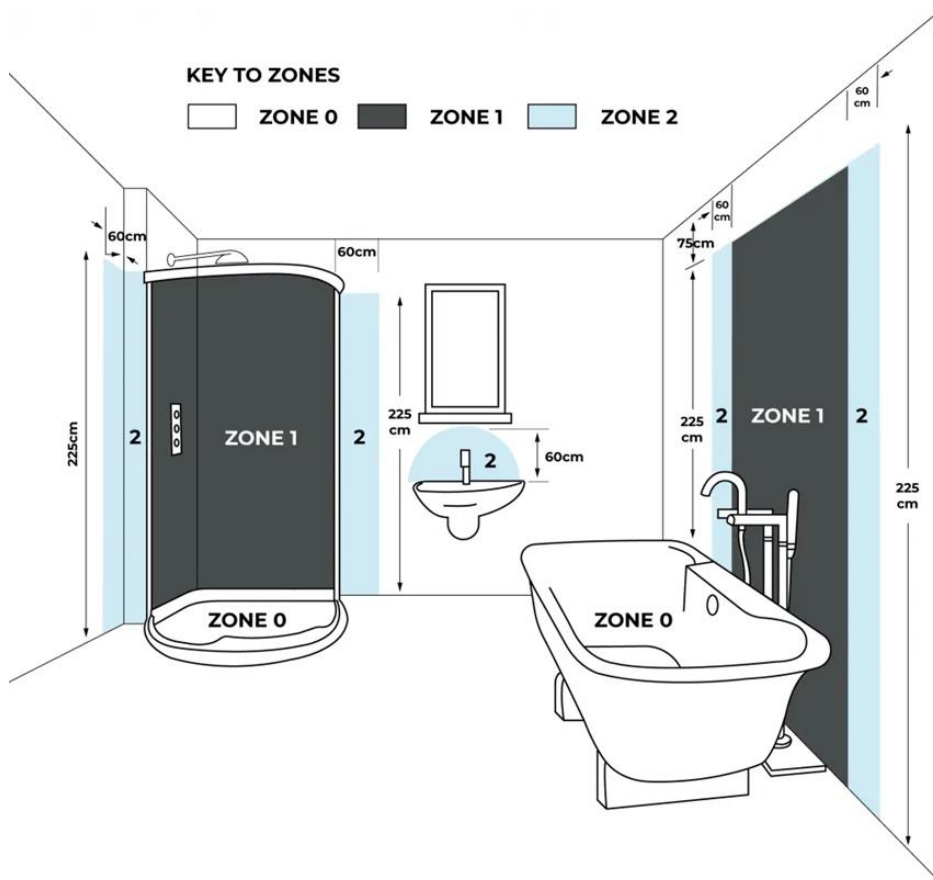
Zone 0 is inside the bath or shower. Any fitting used in this zone must be low voltage, (max 12v) and be rated at least IP67 which is total immersion proof.

Zone 1 requires a minimum rating of IP45 but it is generally accepted that IP65 is to be used.

Zone 2 (60 cm radius) an IP rating of at least IP44 is required.

Outside Zones are anywhere outside zones 0,1 and 2 there are no special IP requirements in this zone, however, we suggest to use a light with an IP rating of at least IP20.

This information should be used for guidance only. Always refer to the current IEE Wiring Regulations or a qualified electrician to ensure that you are guided by the latest codes of practice.



1. Before commencing installation or maintenance, isolate the main electrical supply for the appropriate circuit at the fuse board.
2. This product is only suitable for connecting to a 240V 50Hz supply.
3. The mirror should be mounted onto a secure surface.
4. When installing please take care to avoid water pipes, joints end electrical cables.

Installation

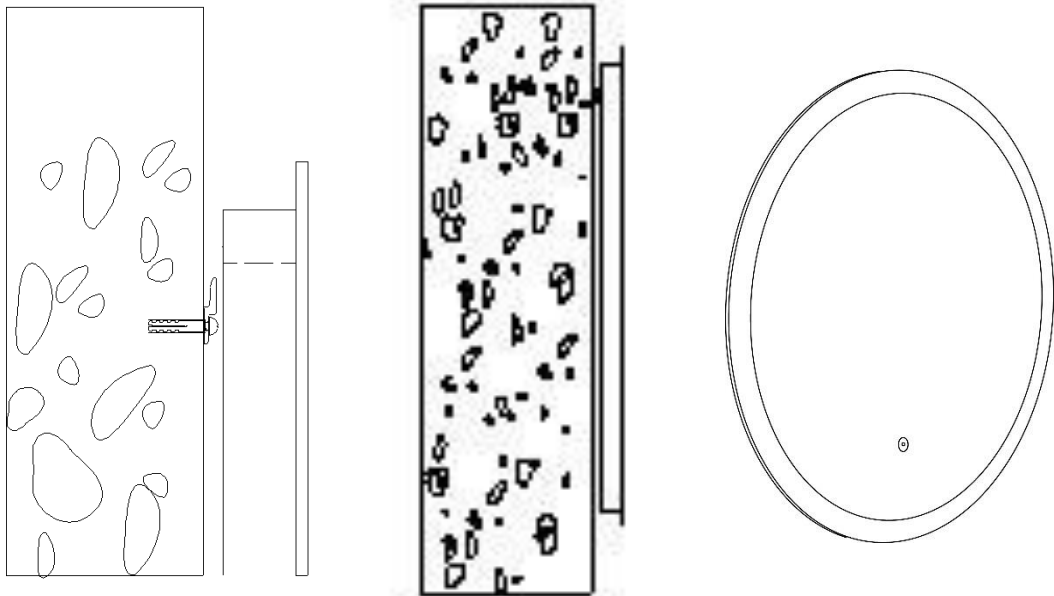
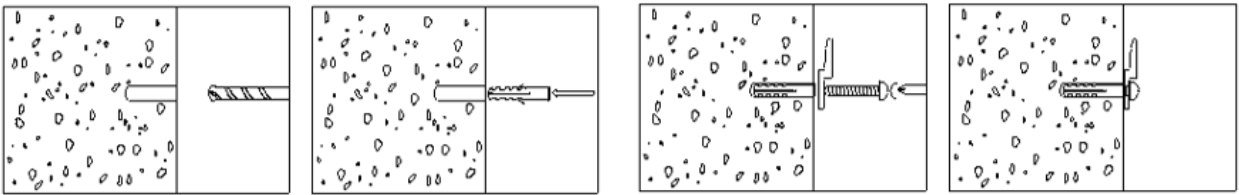
This mirror should be mounted onto a secure surface.

Position the hanging bracket on the wall and mark the position of the fixing holes through the hanging bracket. Care must be taken to avoid any wiring or water pipes.

Remove bracket from the wall and drill and prepare the holes for the screws.

Mount the fixing bracket to the wall.

The mirror is fixed in position by engaging the hanging bracket attached to the mirror over the bracket fixed to the wall.



Using a flat-blade screwdriver, securely connect to the mains supply using a terminal block. Incoming Neutral (Blue/Black) to Neutral Blue, incoming Live (Brown/Red) to Live (Brown) and incoming Earth to Green/Yellow.

Operation

Demister and LED Lighting

The mirror demister is activated once the light is turned on. To turn the light and demister on simply press the touch pad located on the front of the mirror. To turn off press touch pad again. To change the color of the LED's quickly double press the touch pad. Cold White, Warm White, White Mix

Whilst the LED is on if you press and hold the ON / OFF touch pad this will adjust the brightness of the LED's

It is not recommended to leave the mirror switched on for prolonged periods of time

Bluetooth® Speakers

To use the Bluetooth® speakers the LED light must be turned on.

Pairing occurs when two Bluetooth® wireless enabled devices communicate with each other and establish a connection. This information is then stored in the memory of each device meaning that once initially connected the two devices will not need to be paired again.

Firstly ensure the Bluetooth® device you want to pair with your mirror has its Bluetooth® enabled.

From the Bluetooth® settings menu find the mirror which is named "Mirror Phone", select this device to start the pairing. Once the two devices are paired you will hear an audible tone from the mirrors speakers to confirm pairing has been successful.

Once paired any music played via the connected device will play through the mirror.

If the paired device is moved to far from the mirror the connection will be lost.

Troubleshooting.

No sound from mirror	Check the volume on paired device is not muted or turned down Possible issue with Bluetooth® connection try easing pairing and re-pair
Sound Quality is Poor	Check other nearby Bluetooth® devices are not interfering, try turning them off The connected devices are to far apart or close to being out of range For devices with built in sound equalisation adjusting the settings can greatly improve the sound quality of audio played through your mirror

Maintenance and Care

- Ensure that the power is disconnected prior to cleaning.
- To keep the finish of this product, wipe over with soft cloth periodically.
- Do not use harsh chemical solvents, this may dis-colour or damage the finish.
- Use a soft, dry non abrasive cloth to clean the mirror, only do this when mirror is turned off.
- Do not use harsh chemical solvents, this may dis-colour or damage the finish.
- Do not allow moisture to come into contact with the electrical components.

General Information

Environment



Meaning of crossed –out wheeled dustbin:

Electrical appliances should not be disposed as unsorted municipal waste. Separate collection facilities should be used in the disposal of electrical appliances. Contact your local government for the information about the available collection systems. If electrical appliances are disposed of in landfills or dumps, hazardous substances can leak into the groundwater and get into the food chain, damaging your health and well-being. When old appliances are replaced by the new ones, it is a legal obligation for the retailer to take back the old appliance for disposals at least free of charge.



This mirror complies with the Safety Standards EN 60335-1 and EN 60335-2-30 which covers the essential requirements of the Low Voltage Directive 2014/35/EU and the EMC standards EN 55014-1; EN 55014-2; EN 61000-3-2 and EN 61000-3-3 which covers the essential requirements of the European Electro Magnetic Compatibility 2014/30/EU



This mirror complies with the Safety Standards BS 60335-1 and BS 60335-2-30 which covers the essential requirements of the Electrical Equipment (Safety) Regulations 2016 and the EMC standards BS 55014-1; BS 55014-2; BS 61000-3-2 and BS 61000-3-3 which covers the essential requirements of the Electro Magnetic Compatibility Regulations 2016



RoHS stands for Restriction of Hazardous Substances, and impacts the entire electronics industry and many electrical products as well. The Restrictions of the Use of Certain Hazardous Substances in Electrical and Electronic Equipment Regulations 2012, originated in the European Union in 2002 and restricts the use of six hazardous materials found in electrical and electronic products. All applicable products in the EU and UK market since July 1, 2006 must pass RoHS compliance.

Be Modern Ltd. 19/34 Bedesway, Bede Industrial Estate, Jarrow, Tyne and Wear, NE32 3BE.

Tel: (0191) 428 0444

Fax: (0191) 480 5002

<http://www.bemodern.com>

