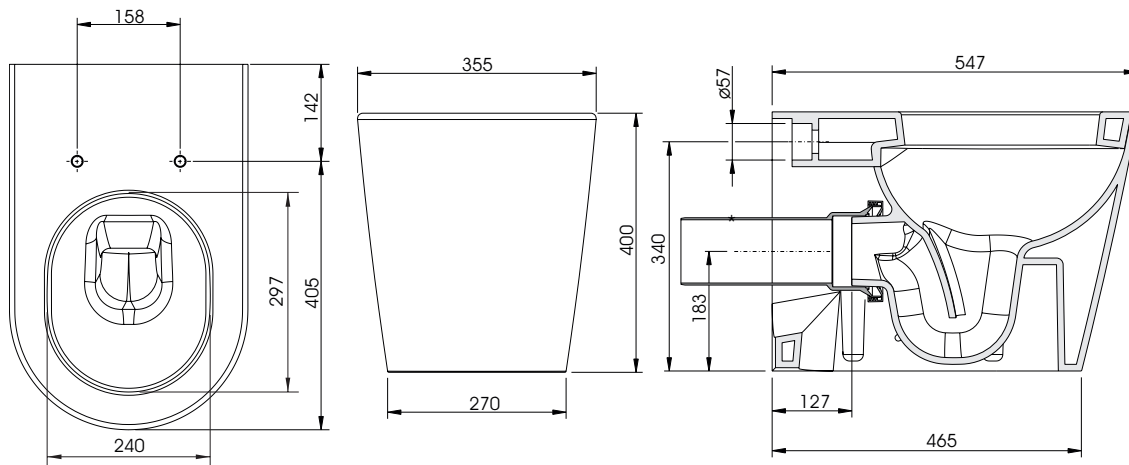




Diagrams not to scale.
All dimensions in mm tolerance of +/- 2mm



Specification:

- Includes Soft Close Seat

Unit Weight: 35kg



bemodern® Product Data Sheet 1.1 May 2024

Customer Service: 0191 428 3104
Email: bathroomorders@bemodern.co.uk
www.atlantabathrooms.com