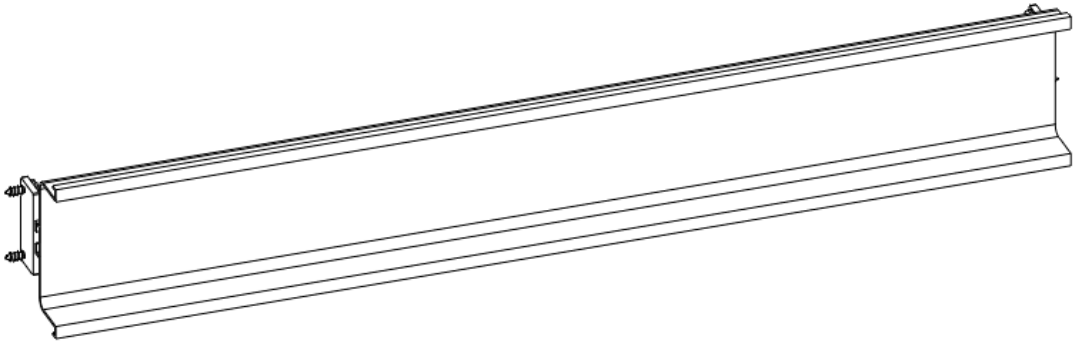




— est. 1964 —

Installation Instruction Contempo Rail Change



Bathroom Furniture Assembly

Instructions

All units can be easily identified from the labels on the packaging. These labels include a description and product batch numbers. In the unlikely event of any missing items, these numbers should be quoted when contacting your supplier.

Please inspect all products carefully before installation.

The guarantee does not cover any subsequent installation costs incurred if faults which would have been evident at the time of delivery are discovered after installation.

Installation Guide and Assembly Manual

It is recommended that this guide should be read before any installation of units begins. Always unpack units carefully and check the contents before discarding the packaging as small items may still be in the packaging. To protect units from scratches only lay them on a clean flat surface.

Electrical

Carrying out work in a bathroom that requires any addition or alteration to existing circuits could be notifiable to your local building control department to ensure it meets the correct safety standards. Generally, any work carried out to the circuit within a specific zone close to the bath or shower unit is considered notifiable. A straightforward way of meeting the requirements is to use a contractor who is registered with a Competent Person Scheme such as NICEIC or ELECSA. They can self-certify the work and notify the local building control department on your behalf.

Sanitaryware

Basins

Any unit edges around wash basins must be sealed with a waterproof agent or sealer. Basins should be levelled on a bead of silicon onto the base unit if possible before the final water and waste connections are made.

W/C Units

You will need to make cut-outs for pipes and cistern controls as directed by the Manufacturer's instructions or templates, remembering to seal any raw edges. The cistern will require fixing to the cross rail. (These fixings are not supplied)

Please note: These units are designed for back-to-wall pans as well as suspended "wall hung" pans when used with a suitable suspension frame.

Guidelines for Care and Maintenance

To maintain the appearance and prolong the life of your new bathroom products we recommend the following,

Furniture

Wipe spills up immediately with a clean soft damp cloth as excessive amounts of spillage or condensation can cause deterioration of the woodwork. We recommend that furniture be cleaned with a soft damp cloth and warm soapy water. Avoid using cleaners or polishes that contain abrasives, solvents, acid or ammonia.

Mirrors

Wipe off excessive moisture or condensation, clean with a soft cloth. Avoid using cleaners that contain abrasives, solvents, acid or ammonia.

Ceramic Sanitaryware

Clean with a soft damp cloth and warm soapy water; rinse with clean water and polish with a soft cloth. Avoid using cleaners that contain abrasives, solvents, acid or ammonia.

Gel-coated Cast Mineral Washbasins

Gel-cast basins are designed and guaranteed to be used with hot water up to a maximum temperature of 65°C, this temperature must not be exceeded.

Clean with a soft damp cloth, water and soap or very mild detergent, rinse and polish with a soft cloth. Avoid using cleaners that contain abrasives, solvents, acid or ammonia. Do not use caustic soda or bleaches. For a good shine use a fine polish around twice a year and then finish with a wax e.g. car wax. Care instructions are included with the washbasin.

Brassware

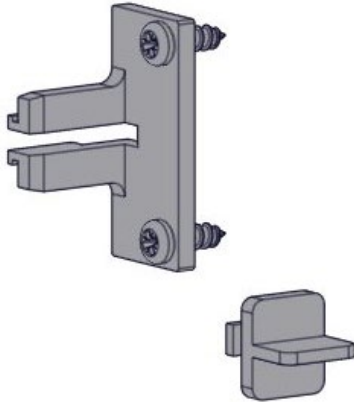
Clean with a damp cloth, water and soap, rinse clean and polish with a cloth.

Avoid using cleaners that contain abrasives, solvents, acid or ammonia.

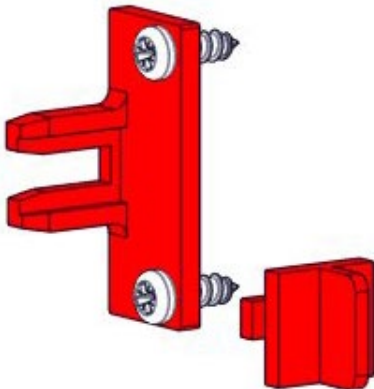
Installation – Product

Identification

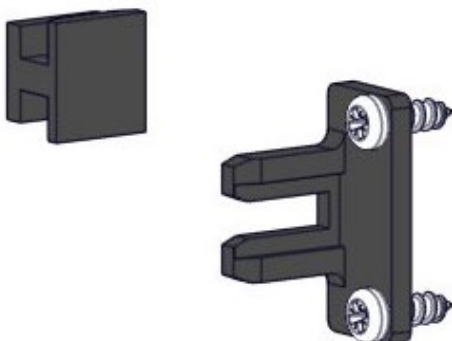
Before changing the Aluminum rail identify what fitting is used on your unit, the method for removal and refitting will vary between the 3 options below.



Grey Coloured Fitting
Instruction page: 3-4

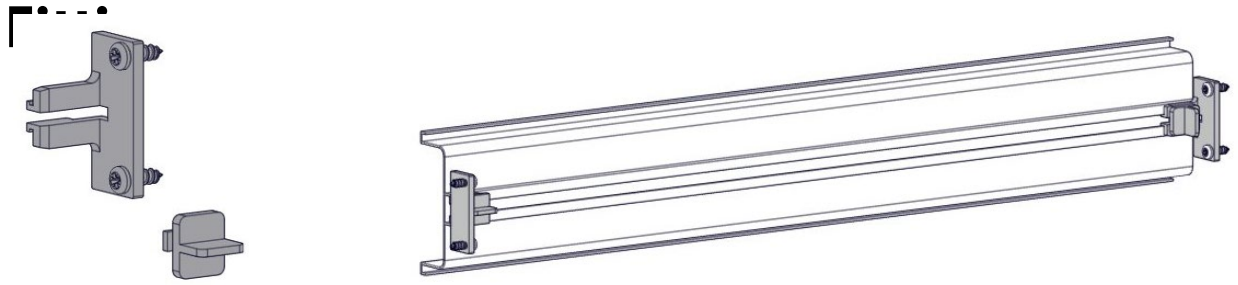


Red Coloured Fitting
Instruction page: 5-6

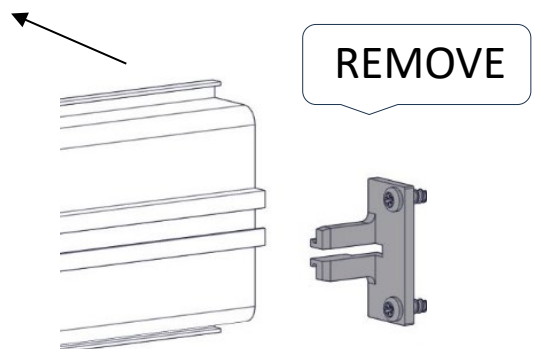
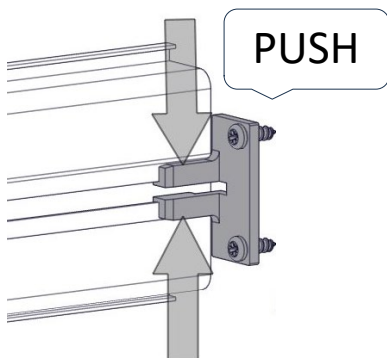
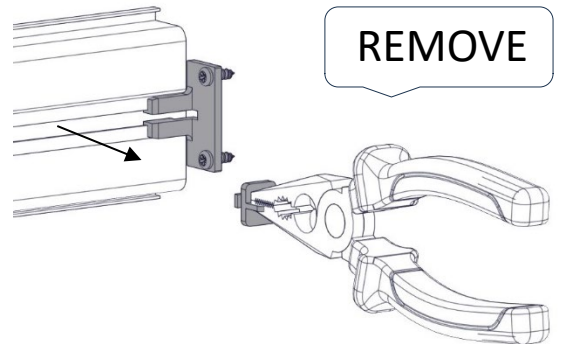
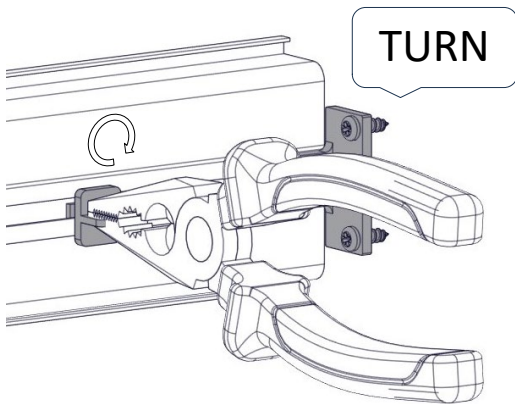
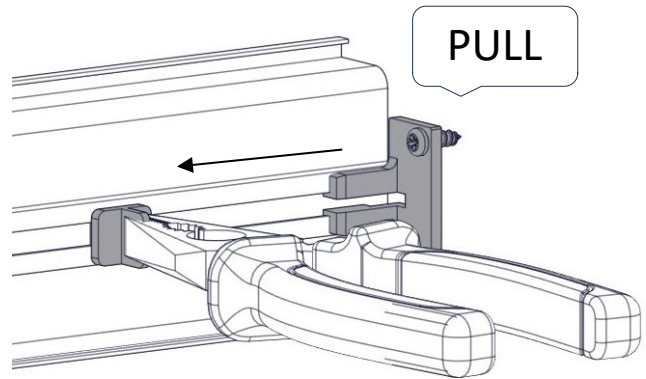
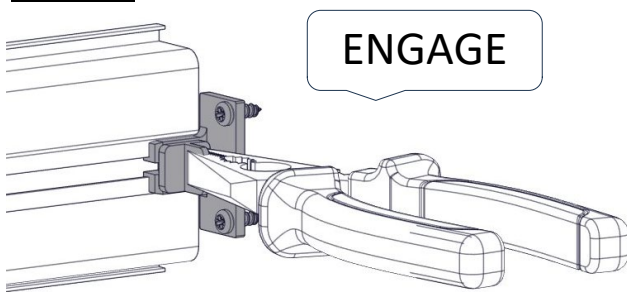


Black Coloured Fitting
Instruction page: 7-8

Installation - Aluminium Rail Removal - Grey

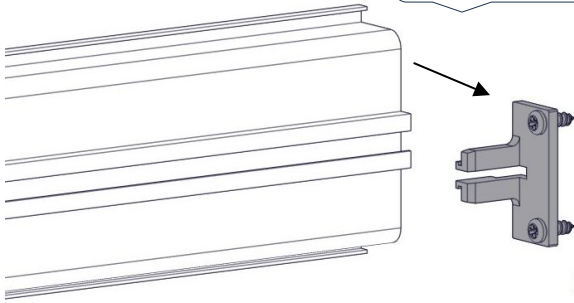


Grey Fitting - Tool Required- Pair of Pliers

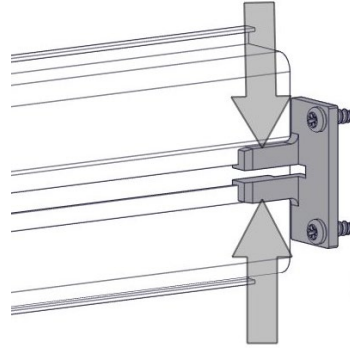


Installation – Aluminium Rail Refitting - Grey Fitting

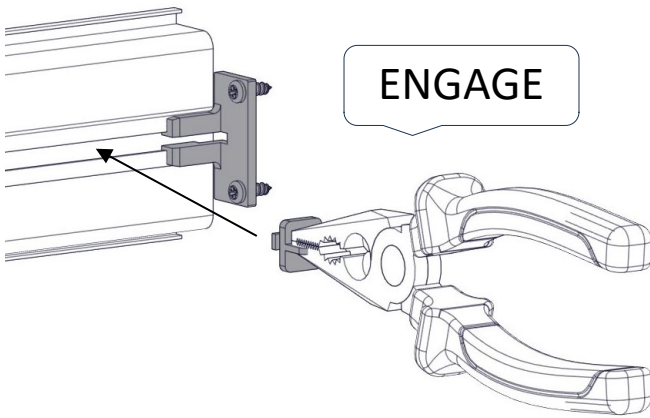
ENGAGE



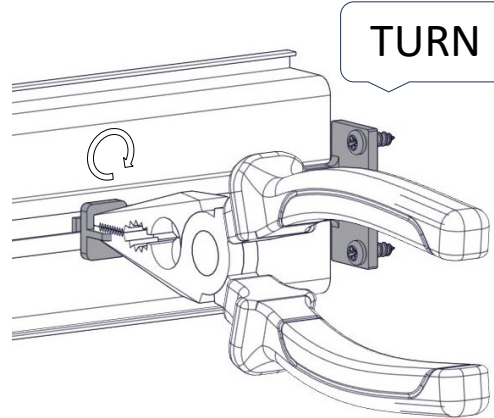
PUSH



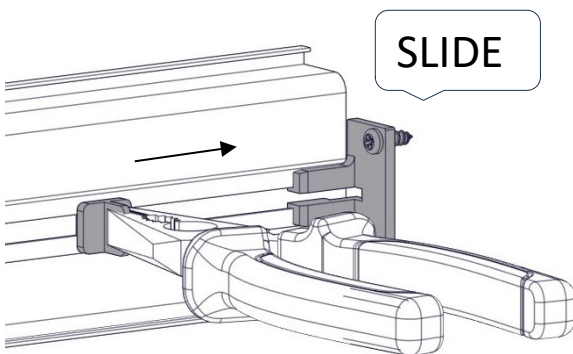
ENGAGE



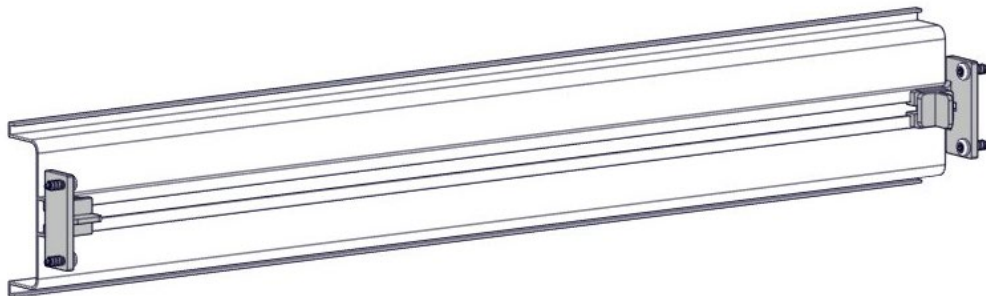
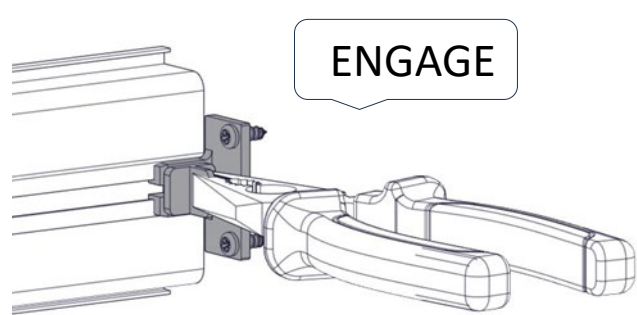
TURN



SLIDE

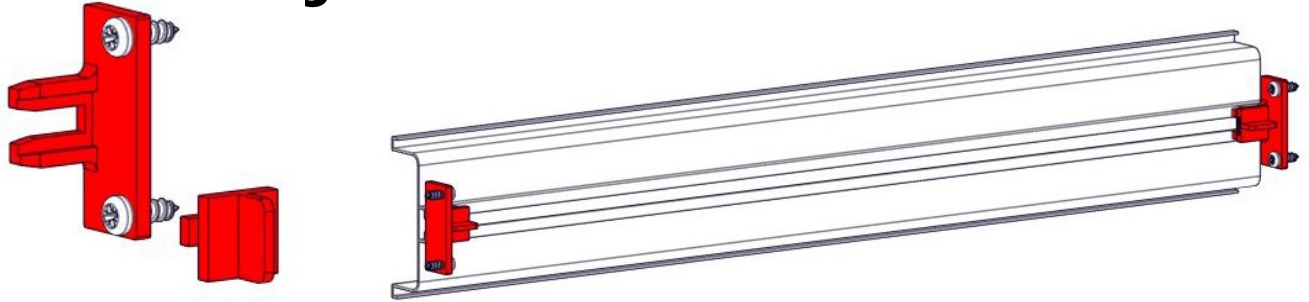


ENGAGE

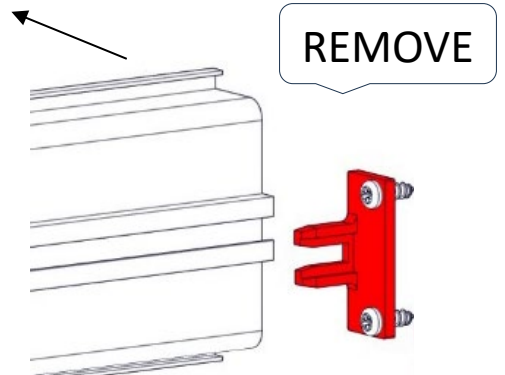
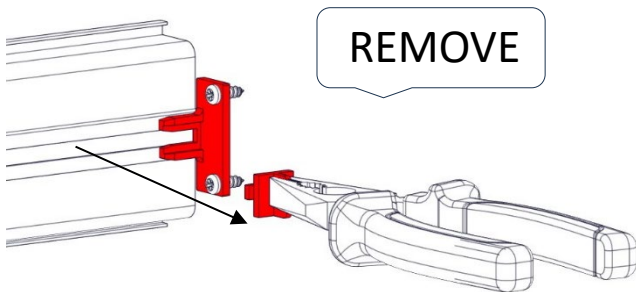
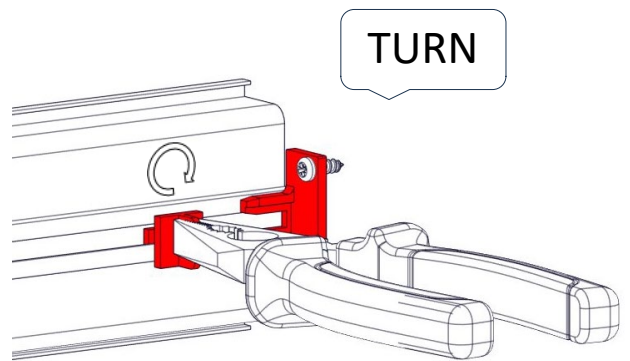
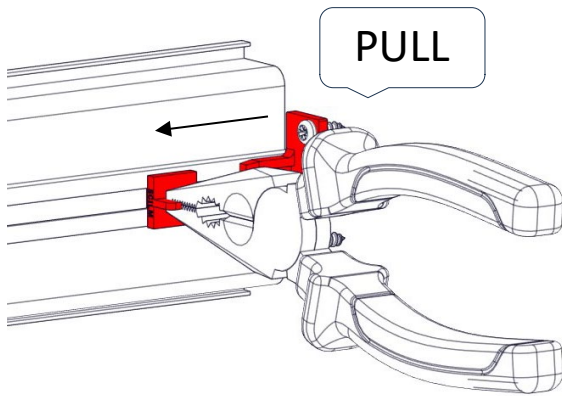
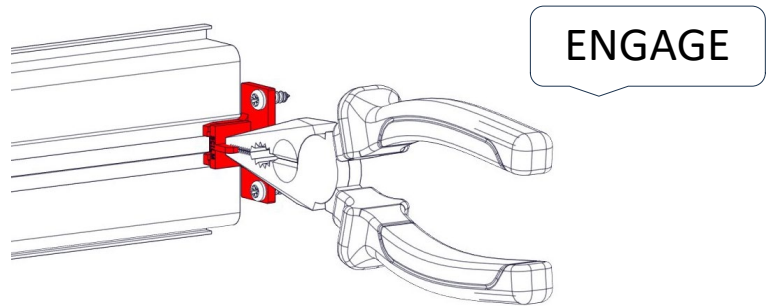


Installation - Aluminium Rail Removal -

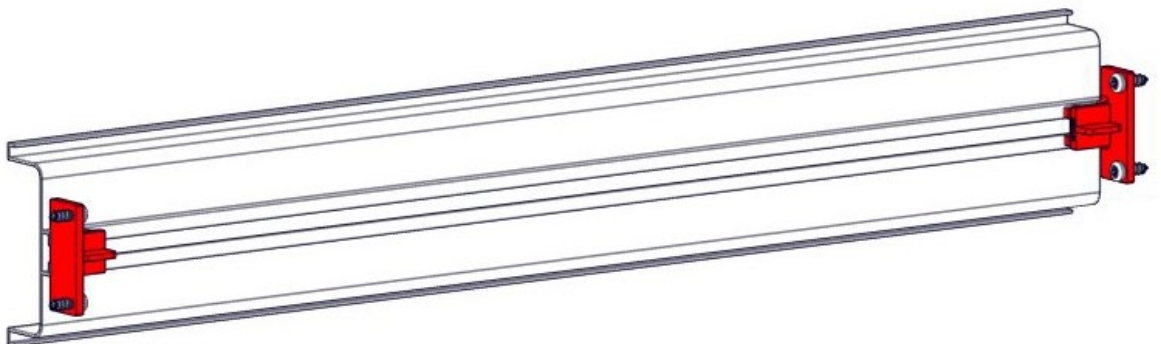
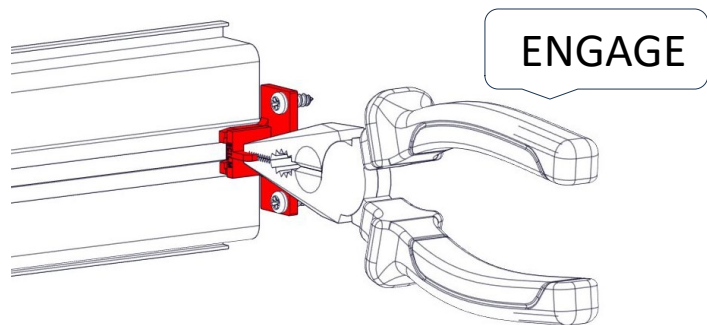
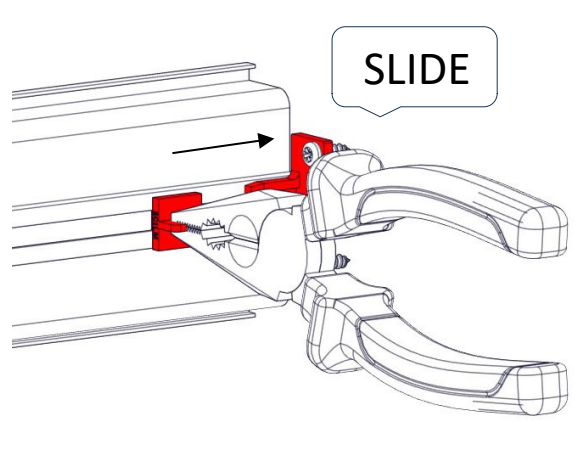
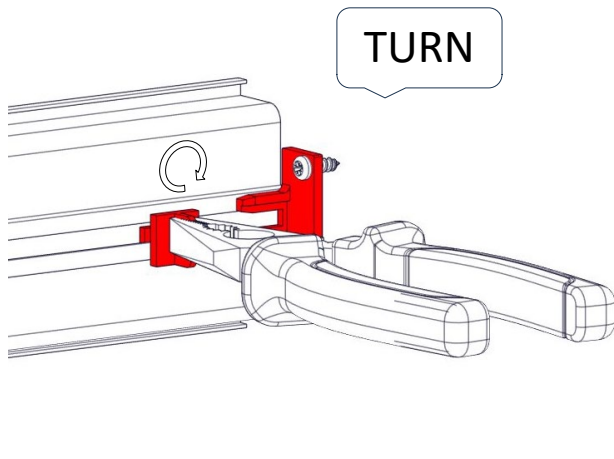
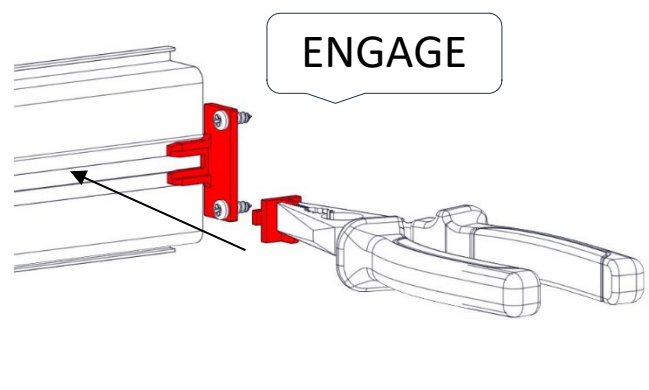
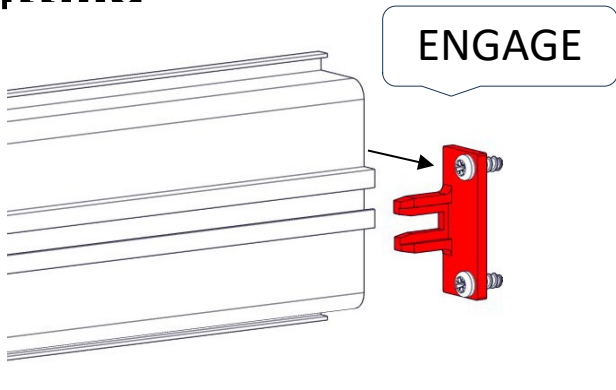
Crack Fitting



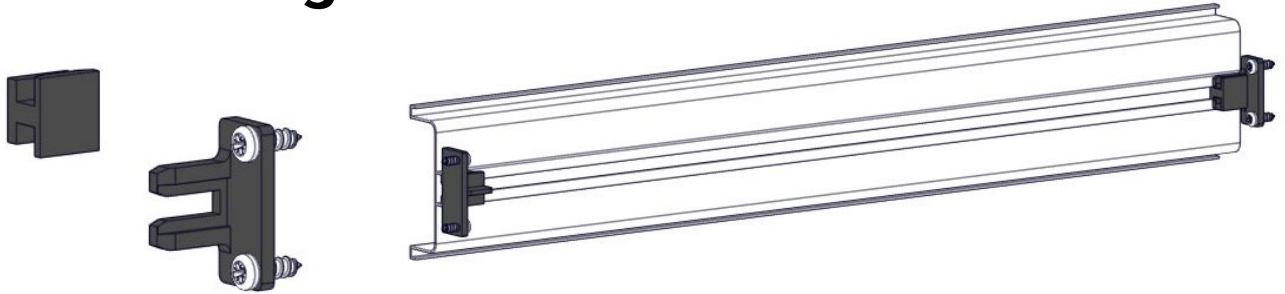
Red Fitting - Tool Required- Pair of Pliers



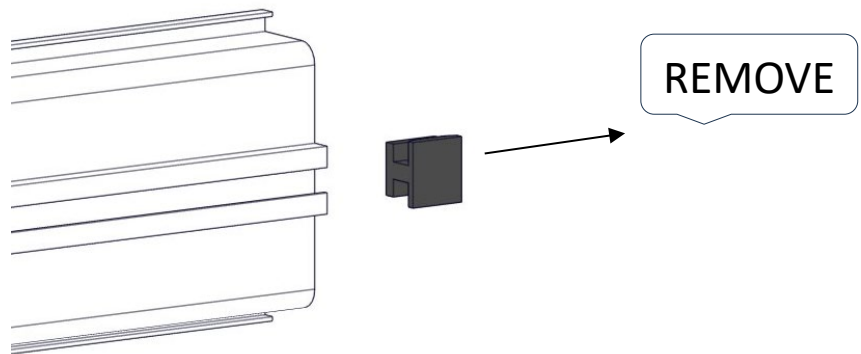
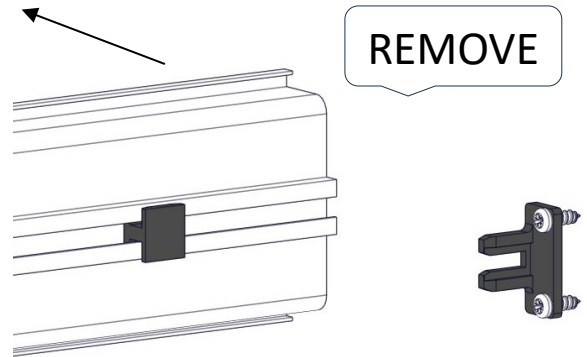
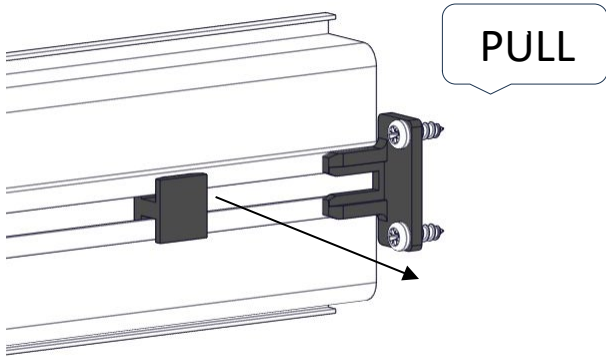
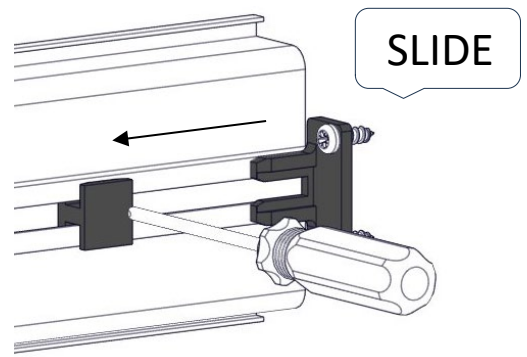
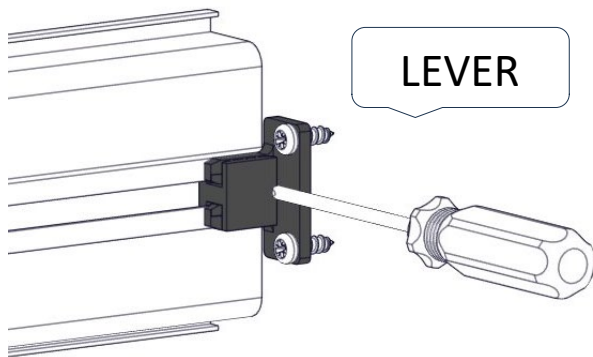
Installation – Aluminium Rail Refitting - Red Fitting



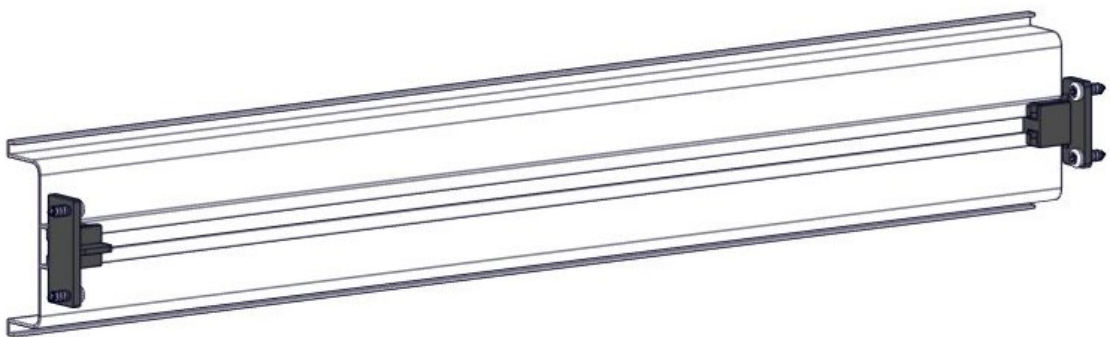
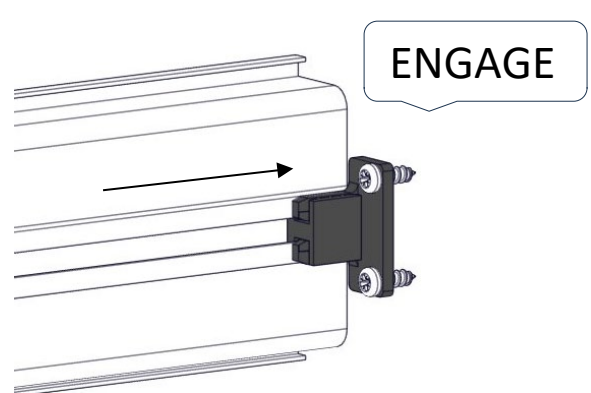
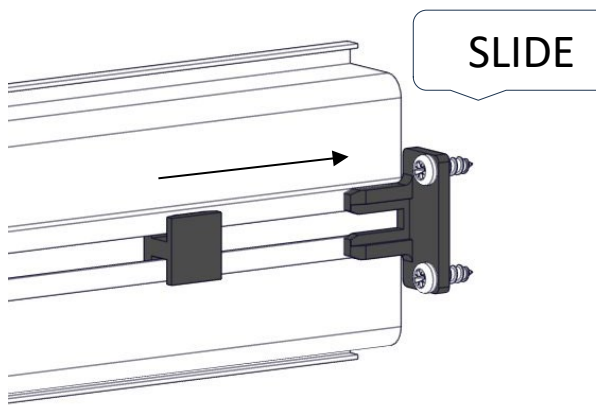
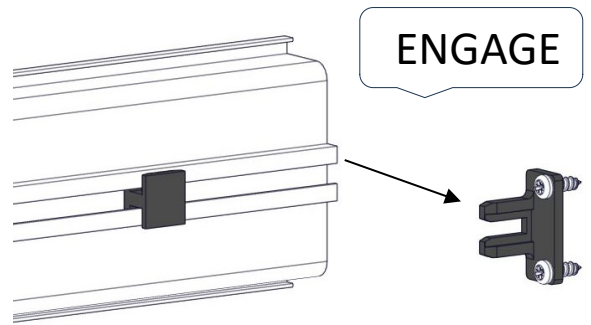
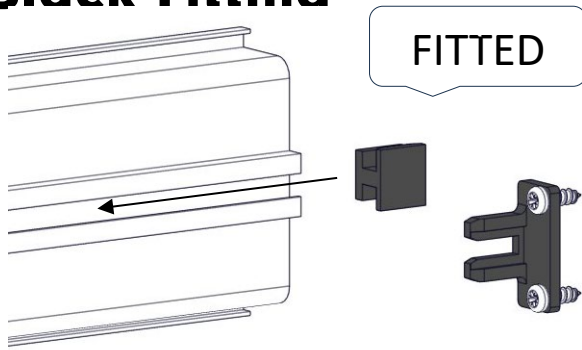
Installation - Aluminium Rail Removal - Black Fitting



Black Fitting - Tool Required- Flat Head Screwdriver



Installation – Aluminium Rail Refitting - Black Fittina





— est. 1964 —

Customer Services

Tel: 0191 428 0444

Fax: 0191 489 0620